

Wedge grips / CW-500N

Easy to clamp by wedge grip



[Application]

- For various material of tensile strength test such as wire and cable

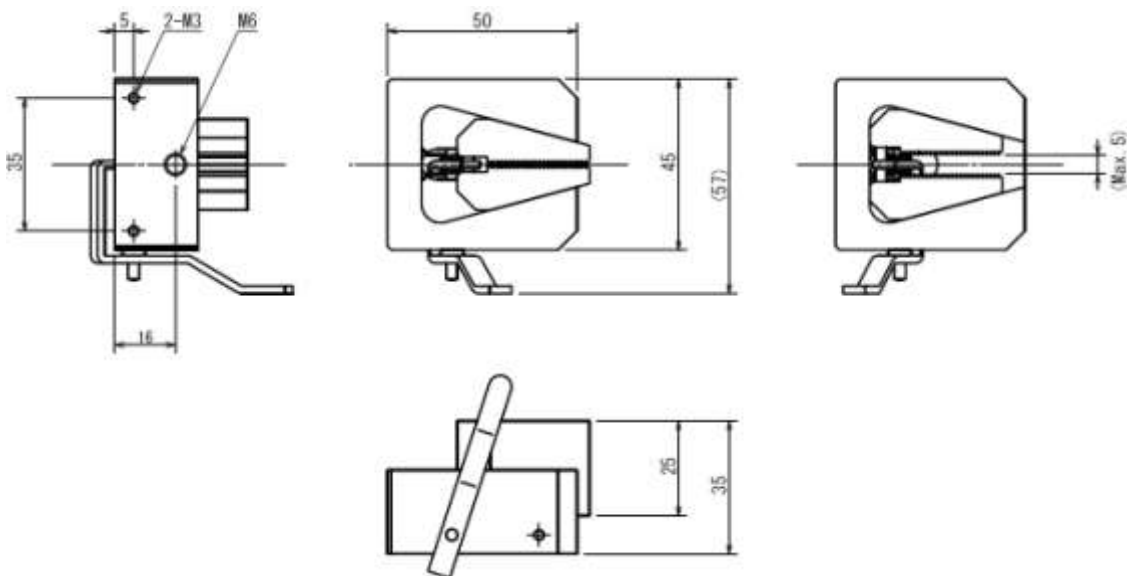
[Features]

- Easy to clamp by one-touch operation
- Possible to clamp tightly by wedge grip function

[Specifications]

Model	CW-500N
Capacity	500N
Clamp principle	Wedge grips
Opening width	5mm
Dimension	See below dimension
Weight	Approx.220g

[Dimension]



[Note]

- Particular materials and shape can not be used.
- When you clamp wire for opposite direction, we recommend our CW-500N-M6.
- All information is subject to change without prior notice.