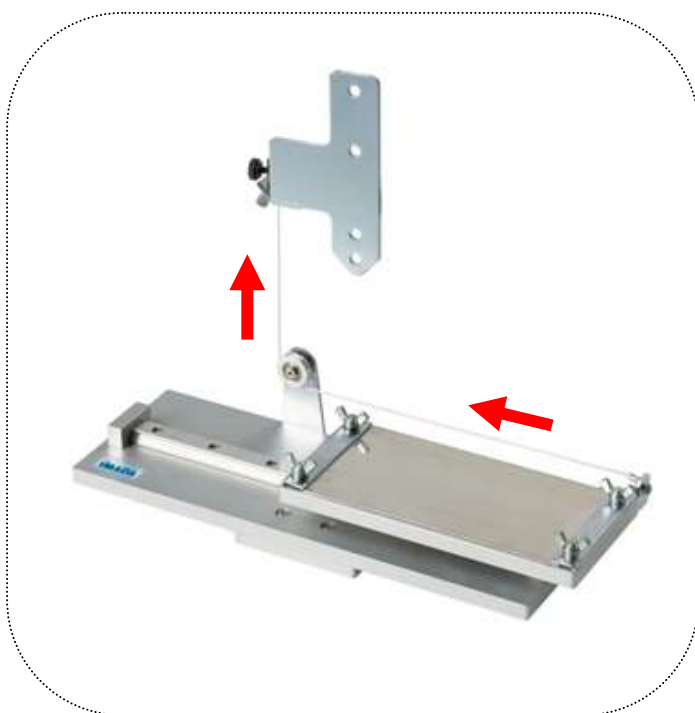


Slide table for 90 degrees adhesion test

Best for peeling test at 90 degrees. Two types of model are available.

1. Standard Type (JIS): P90-200N
2. Economy Type: P90-200N-EZ

P90-200N



[Meets the standard JIS]

Enable to peel the sample, keeping 90 degrees.
Good for more accurate measurement.

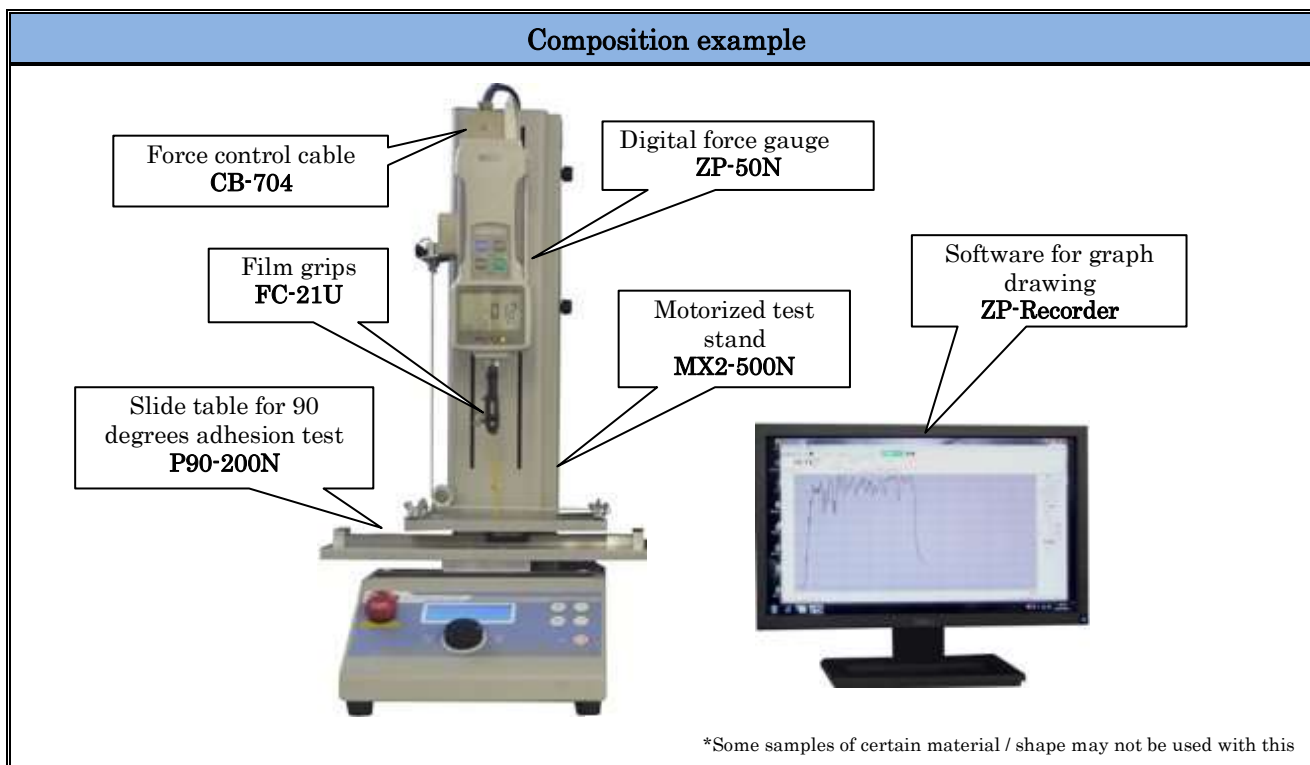
P90-200N-EZ



[Best for elastic samples]




The table does not necessarily keep sample 90 degrees, but it is economy.
May not appropriate for the measurement of under 0.4N or with sudden force change.

Feature 1	Feature 2	Feature 3
Keeps 90 degrees	Meets JIS	For various samples
The string keeps the peeled sample 90 degrees, connecting the slide table and a force gauge. [P90-200N Only]	It meets Japanese Industrial Standards, JIS Z0237 and JIS C5016 [P90-200N Only]	Not necessarily need to stick the sample on the plate of the slide table. Sample sealed on other plate can be set on the slide table. *The thickness of plate should be within 2mm



	Slide table for peeling at 90 degrees	Digital force gauge	Software for graph drawing	Cable for force control	Motorized test stand	Film grips
<p>Case 1 [Standard measurement]</p> <p>To analyze the whole measurement by drawing graphs.</p>	<p>[P90-200N]</p>	<p>[ZP Series] *1</p>	<p>[ZP-Recorder]</p>	<p>[CB-704] *2</p>	<p>[MX2-500N] *3, *4</p>	<p>[FC Series]</p>
<p>Case 2 [Economy measurement]</p> <p>To have peak measurement force only.</p>	<p>[P90-200N-EZ]</p>	<p>[DS2 Series] *1</p>	<p>[N/A]</p>	<p>[N/A]</p>		



*1. It is appropriate to use Digital Force Gauge for adhesion test. 90 degrees cannot be kept with mechanical force gauge because of its structure.
 *2. We suggest use cables to avoid over load. (Available only with ZP/Z2 series)
 *3. It is appropriate to use Motorized Test Stand for adhesion test. We especially recommend use MX2 series with which test speed can be set.
 *4. A test stand with longer stroke is available if the test sample is too long to use normal stroke.

Measurement example		
Peeling of plastic tape (with P90-200N)	Peeling of PCB (with P90-200N)	Peeling of elastic tape (with P90-200N-EZ)
		
Measurement meeting JIS Z0237	Measurement meeting JIS C5016	Measurement of elastic sample

*Digital force gauges, test stand, film grips are not included to P90-200N/P90-200N-EZ.

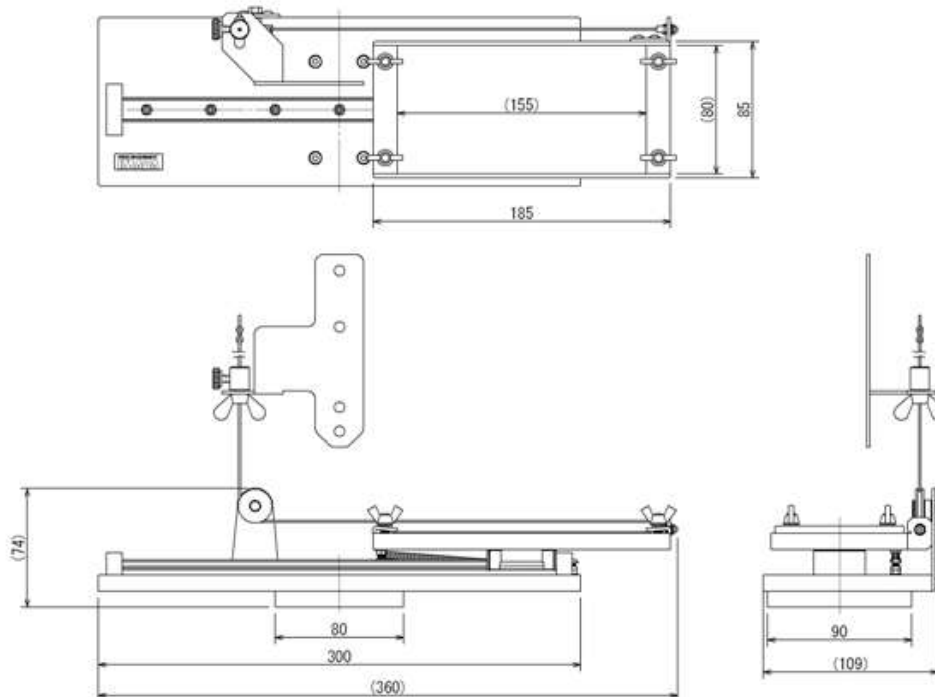
Specifications		
Model	P90-200N	P90-200N-EZ
Length (sample)	155mm (max.)	
Width (sample)	80mm (max.)	
Capacity	0 to 200N	0.4 to 200N
Dimensions	See page 4	
Weight	Approx 2kg	
Fixable test stand	MX-500N, MX2-500N, MX-1000N, MX2-1000N	

* Please contact us in case using with other models of test stand.

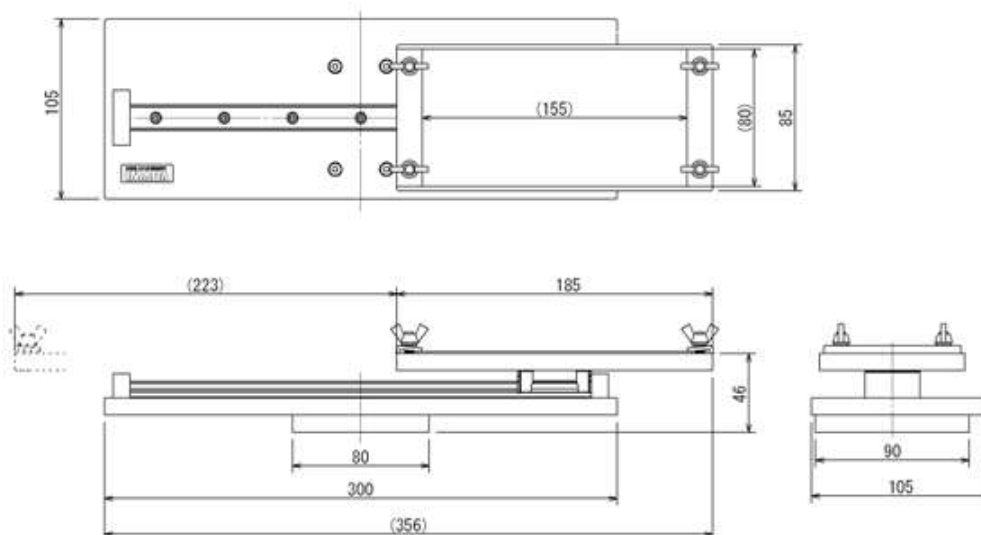
Option	
Weight roller APR-97 (Meets JIS Z0237)	Spare stainless panel SSP-1608
	
It helps to stick samples on the panel with stable force, which leads stable measurement result. (Meets JIS Z0237)	Needles to take off and wash the panel every measurement, if you have spare panel. It helps save time and work.

[Dimensions]

P90-200N



P90-200N-EZ



[Caution]

- *The contents may be changed without notice in advance.
- *Force gauge, test stand and grips are needed to have force measurement.
- *This product is designed for measurement purpose only.
- *Do not copy and the contents without permission.