

Pantograph PGC-0510

Almighty use by wide open jaw grips



[Usage]

- This can be used for various materials such as lead wire, films, paper, rubber.

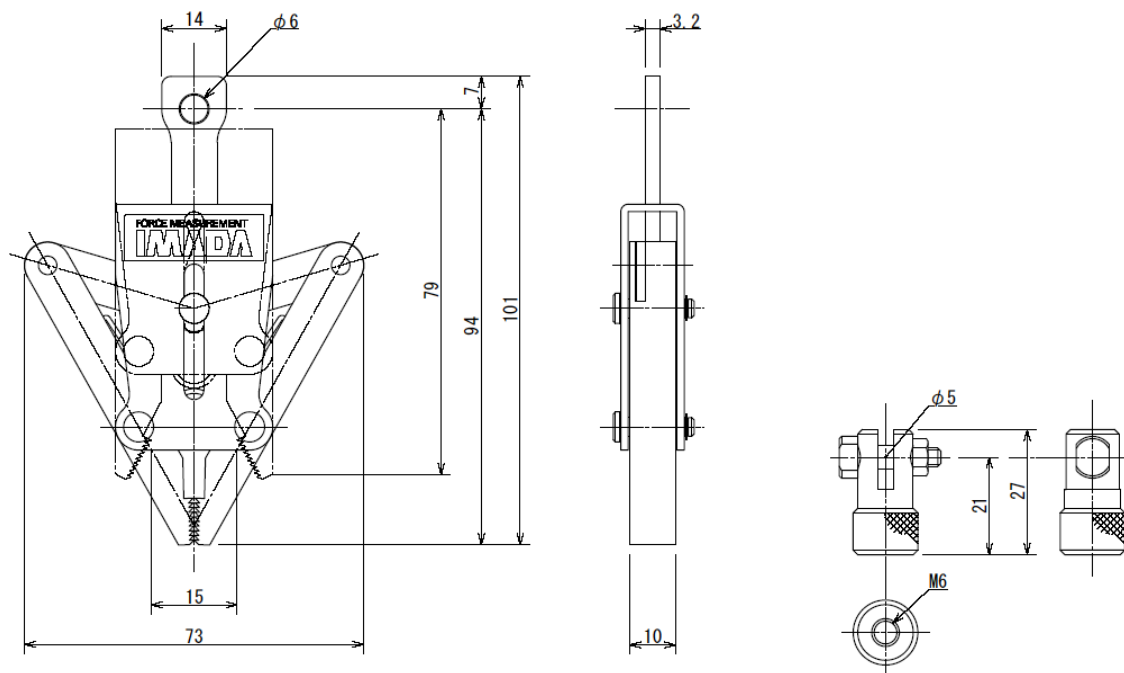
[Feature]

- For wide purpose by wide open jaw grips
- Easy detachment by pantograph structure
- Light weight

[Specifications]

Model	PGC-0510
Capacity	500N
Usage	To attach our force gauge, hook this attachment to included standard attachment of A-1/S-1/SR-1.
Opening width	15mm
Dimension	See dimensions
Weight	Approx. 110g
With force gauge	PS/FB/DS2/Z series

Model	PGC-AD6 (Optional adapter for bottom use)
Capacity	500N
Screw	M6

[Dimensions]

PGC-AD6(Optional adapter)

[Precaution]

- Some samples may not correctly be gripped depending on material and shape.
- Combining with Imada test stand, more stable measuring becomes possible.
- All information is subject to change without prior notice.
- When using with our test stand, please check the your needed stroke.
- To fix test stand, optional adapter PGC-AD6 is required.