

## Option for motorized test stand

---

### Optional Timer Unit / TM-00



#### [Applications]

- Seal strength of package, hardness of medicine, burst strength of plastic film bag such as cosmetics, seal strength test of a tube.
- Possible to apply constant force at certain time.

#### [Feature]

- This is option for motorized stand. Please use suffix "-TM" after model name of test stand.
- Even if the measurement sample is transformed during pressurization, this timer unit revises applied force automatically.
- Possible to set pressurization time from 1 second to 99 minutes 59 seconds by 1 second step.

[Specifications]

Model	TM-00
Figures	4
Time range	1sec~99min59sec
Accuracy	±0.01%±0.05sec
Accessory	Force control cable CB-501
Combination	MX series, ZP/Z2 series

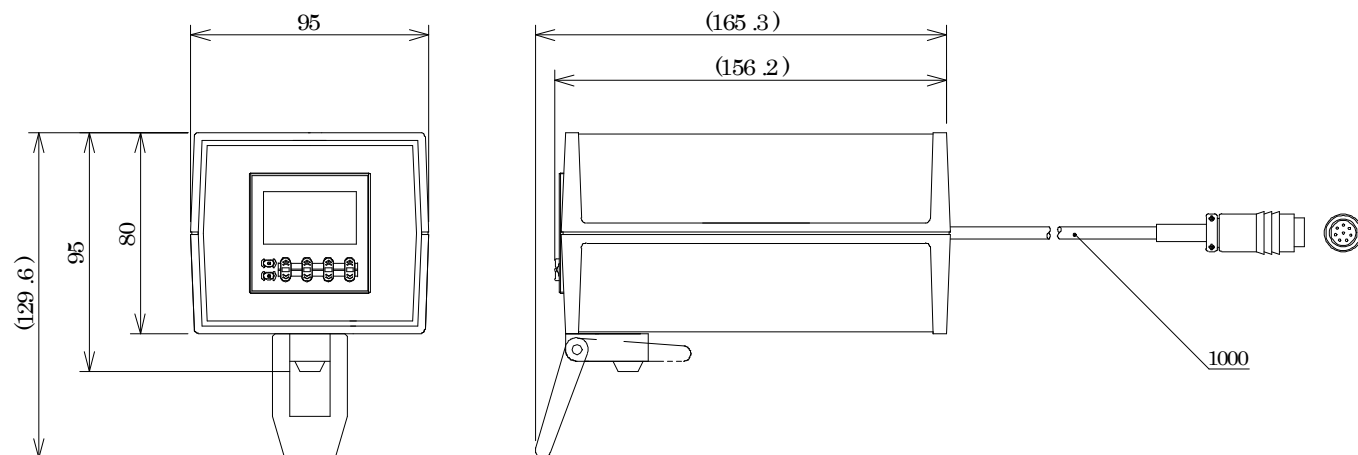
Speed / length meter (-E) and timer unit (-TM) are possible to use at the same time.

See the each specifications for the detail of test stand.

This timer is option of motorized test stand. Please order this with test stand.

It is required to install to stand before ship.

[Dimensions]



[NOTICE]

It may change without preliminary notice for improvement!