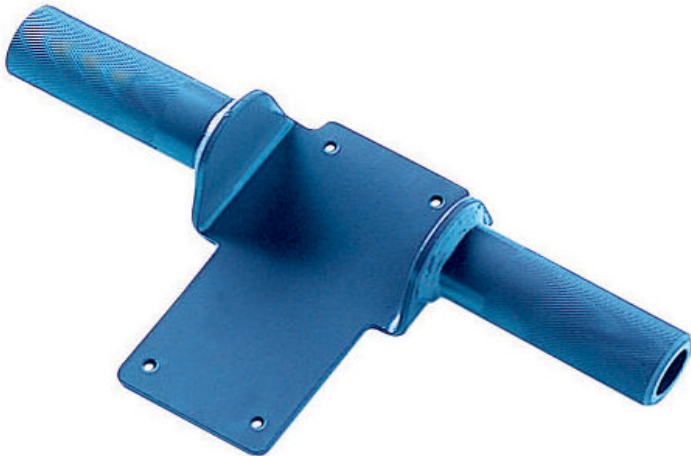


## DOH-1 / MOH-1

### Optional handles for force gauge



DOH-1

[For digital force gauge]



MOH-1

[For mechanical force gauge]

#### [Application]

- Imada's digital and mechanical force gauges can easily be fitted with the handle.

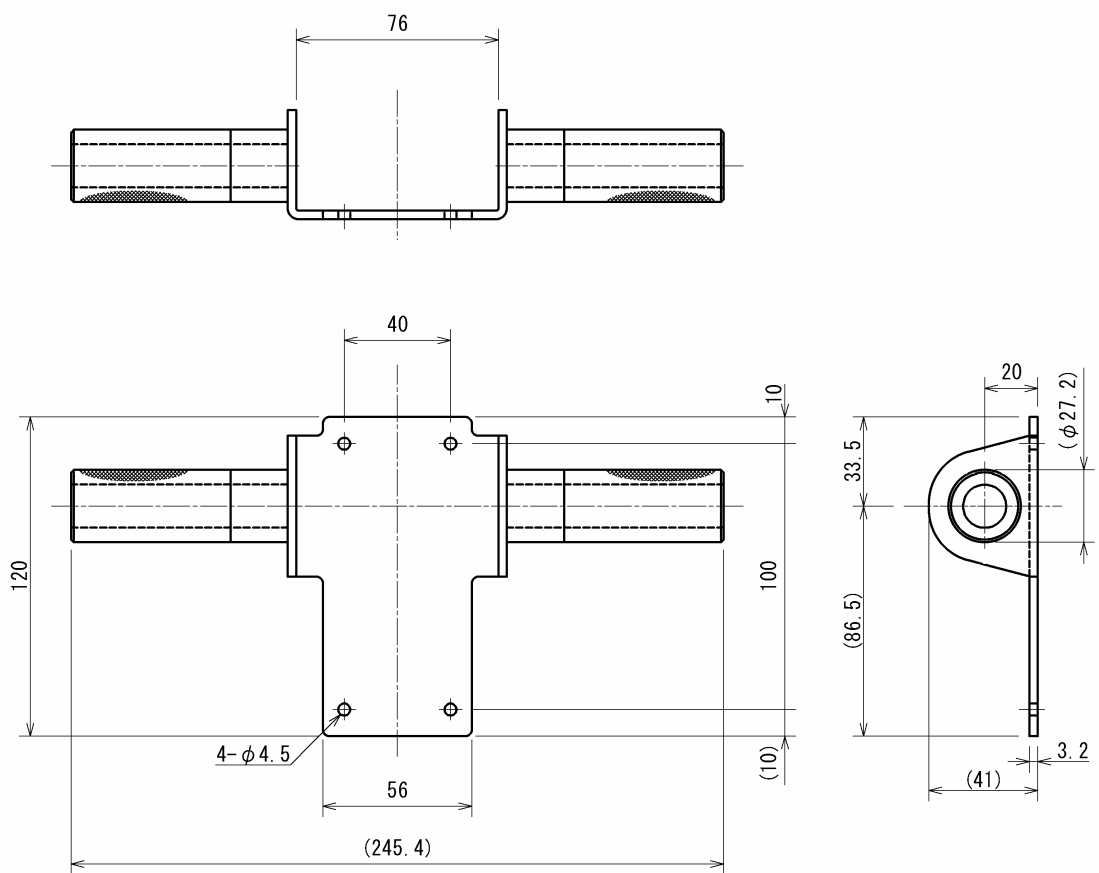
#### [Feature]

- The handle makes continuous measuring possible tirelessly due to consistent measuring force generated by a stable physical position.
- The gauge can be easily attached to or detached from the handle with the screws which come with the handle.

[Specifications]

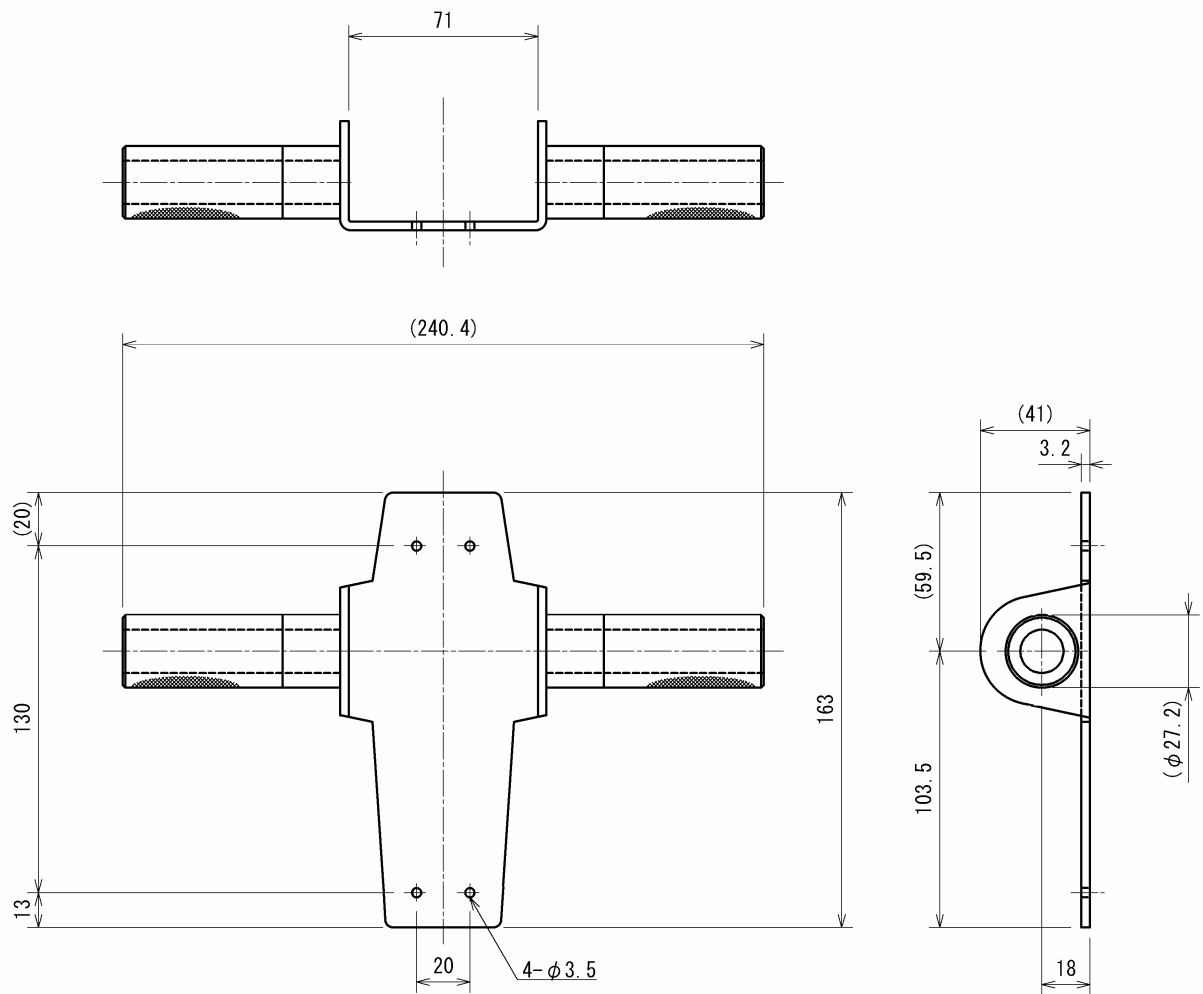
Model	DOH-1 [For digital force gauge]	MOH-1 [For mechanical force gauge]
Applicable model	DPZ DPS	PSS/PS/PSM FS/FB
Weight	700 g	760 g
Accessory	M4×L8 4 pcs (Screw)	M3×L14 4 pcs (Screw)

[Dimensional drawing]



[ DOH-1 ]

(Optional handle for digital force gauge)



[ MOH-1 ]

(Optional handle for mechanical force gauge)

[Precaution]

- All information is subject to change without prior notice.