
DTX Series

For torque of screw caps

Easy data processing



[Applications]

This can be u

[Features]

1. Peak hold function
2. Comparator function which can program Hi/Lo set point., and memory function.
3. Overload warning by flashing LED
4. It is PC connectable through RS-232C and programable
5. Selectable three units (N-m, Kgf-m, and lb-in)
6. Easy to clamp bottles
7. Two models (battery use or AC power use) are available

[Specifications]

| | | |
|-----------------------------|--|---|
| Measuring units | N·m·kgf·m·lb·in selectable | |
| Display | 4 digits LCD | |
| Measurement time | 30 times / second | |
| Display update | 10 times / second | |
| Overload Capacity | 150% of F.S. (LED flash beyond 110%) | |
| Sample diameter | 30~140 mm | |
| A/D converter | 16bit delta sigma system | |
| CPU | 8bit 1 tip microprocessor | |
| Accuracy | +/-0.5%F.S +/- 1 digit | |
| Operating temperature range | 0~+40 degree Celsius 20 to 60% RH | |
| Power supply | DTX-A | AC power supply |
| | DTX-B | Rechargeable NiCad battery pack(4pcs) or AC adapter (Continuation about 8 hours) |
| Weight | Approx. 4.5 kg | |
| Output | Digital (serial RS-232C) Mitsutoyo Digimatic Analog (+/-2VF.S.) Comparator output signal(Open collector MAX30V10mA) Overload output signal (Open collector MAX30V10mA) | |
| Comparator function | Color coded LED indicates below, within, or above set point value | |
| Memory | Up to 960 measurement values | |

[Model type]

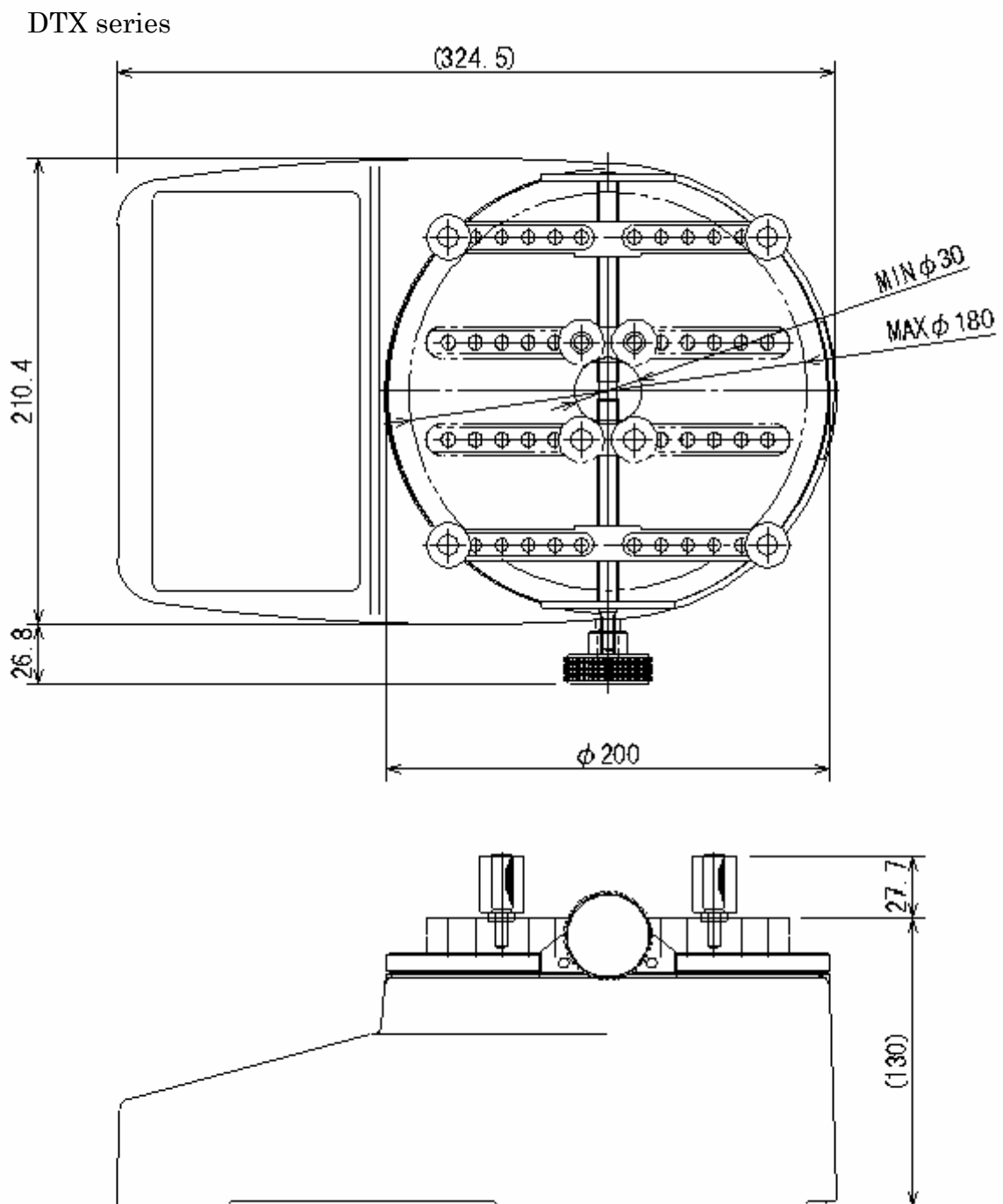
| Model | | Capacity | Display | Resolution |
|---------|---------|----------------|-------------------|----------------------|
| DTX- 2A | DTX-2B | 2 N·m(200gf·m) | 2.000(200.0gf·m) | 0.001 N·m(0.1gf·m) |
| DTX- 5A | DTX-5B | 5 N·m(500gf·m) | 5.000(500.0gf·m) | 0.001 N·m(0.1gf·m) |
| DTX-10A | DTX-10B | 10 N·m(1kgf·m) | 10.00(1.000kgf·m) | 0.01 N·m(0.001kgf·m) |

[Measured value display]

In DTX series, the measured unit change to N·cm is possible. (However, the unit mark of a display displays as only N.) Please place an order for change to N·cm by the following model name.

| Model | | Capacity | Display | Resolution |
|-------------|-------------|---------------------|------------------|---------------------|
| DTX-200NcA | DTX-200NcB | 200N·cm(20kgf·cm) | 200.0(20.00kgf) | 0.1N·cm(0.01kgf·cm) |
| DTX-500NcA | DTX-500NcB | 500N·cm(50kgf·cm) | 500.0N(50.00kgf) | 0.1N·cm(0.01kgf·cm) |
| DTX-1000NcA | DTX-1000NcB | 1000N·cm(100kgf·cm) | 1000N(100.0kgf) | 1N·cm(0.1kgf·cm) |

[Dimension]



[Note]

- Do not apply excess torque, force, or impact on the measuring axis regardless to the power is on/off.
- Do not use the gauge under the condition of the rapid temperature changes, high temperature, high humidity, near water and dusty place.
- Keep the gauge in the exclusive carrying case when it is not used.
- The use of the test stand made by Imada is recommended for the stable measuring result.
- All information is subject to change without prior notice.