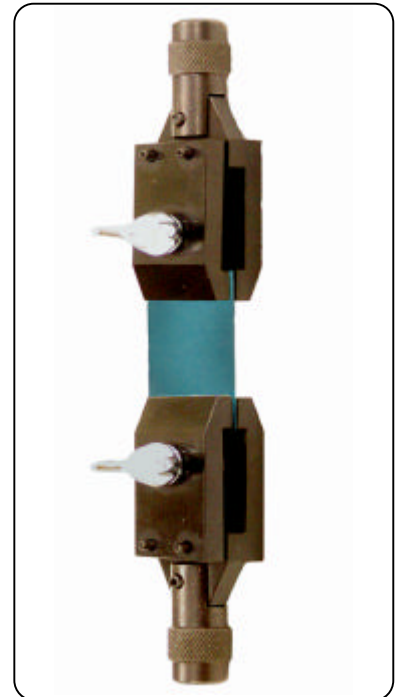
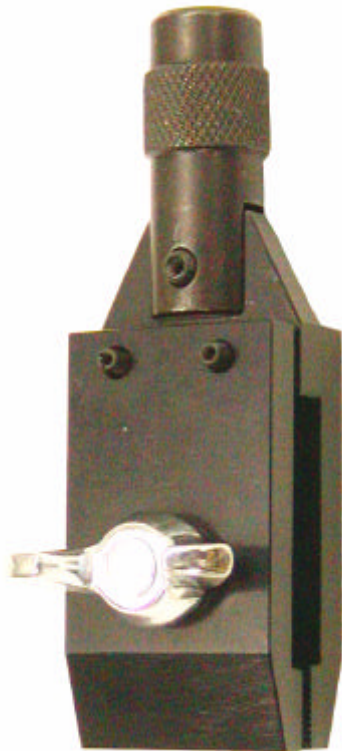

Film Grips / FC-20,21,40

For thin film test



[Applications]

The film grips are installed on the Imada's force gauge for tension test of various test pieces.

[Feature]

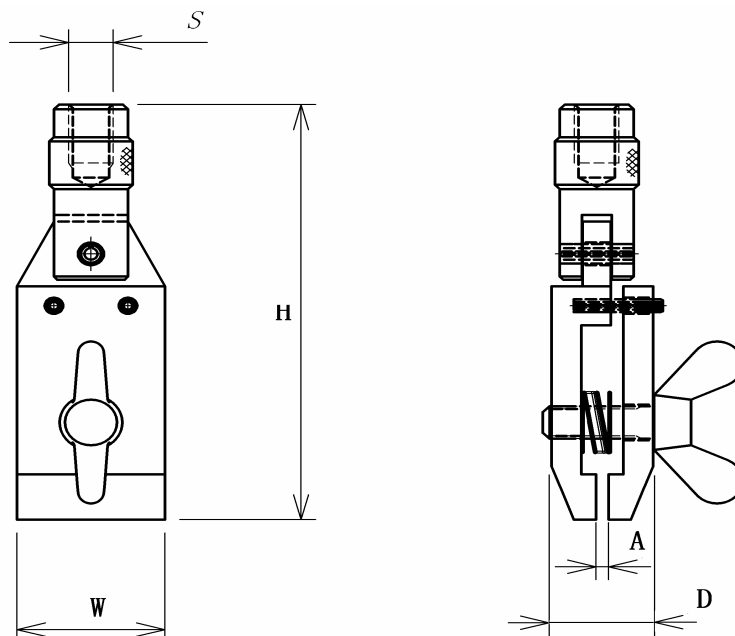
They are suitable for checking thin materials.

FC-21 is light and suitable for measuring minute force.

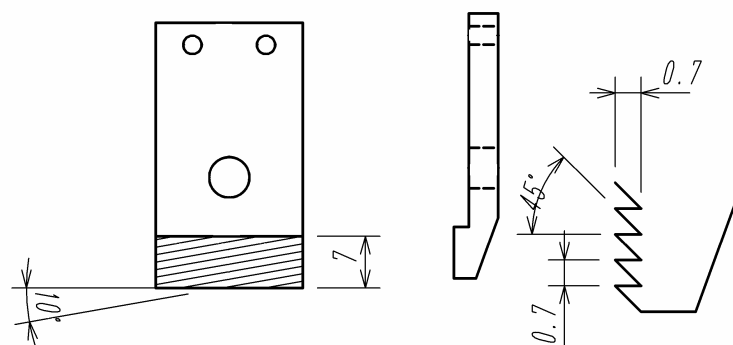
[Specification]

	FC-21	FC-20	FC-40
Type	Lightweight type	Normal	Wide range type
Capacity	250N	500N	500N
Mounting Screws[S]	M6P1	M6P1	M6P1
Weight	25 g	73g	125 g
Dimension (W×H×D)	20×53×(14) mm	20×64×(14) mm	40×64×(14) mm
Opening width [A]	2mm	2mm	2mm
With Force Gauge	PS/FB/DPS/DPX/DPZ 4.9N~	PS/FB/DPS/DPX/DPZ 9.8N~	PS/FB/DPS/DPX/DPZ 9.8N~

[Dimension]



[Dimension of Grip]



[Note]

- Particular materials and shape can not be used.
- Combining with Imada's test stand, more stable measuring becomes possible.
- All information is subject to change without prior notice.