







Hoisting Attachment for High Capacity

Hoisting attachments for DPU/LU/LMU load cell series.
You can choose the suitable one by your test style and object.

Specification			
Models	EB-500N-M6	EB-500N-M8	EN-500N
Feature	To hang rope or a hook		
Capacity	500N	500N	500N
Weight	Approx. 18g	Approx. 39g	Approx. 11g
Nut Type	M6 Rod end type	M8 Rod end type	M5 Eye nut type
Mountable Loadsell	DPU-5N~500N	LU Series	LMU Series
Photos			 *
Model	EB-2000N	EB-20kN	RE-20kN
Feature	To hang rope or a hook		To let a shaft through
Capacity	2000N	20kN	20kN
Weight	Approx. 137g	Approx. 1100g	Approx. 300g
Nut Type	M12 Rod end type	M18 Rod end type	M18 Rod end type
Mountable Load cell	DPU-1000N/2000N	DPU-10kN, DPU-20kN	DPU-10kN, DPU-20kN
Photos			

*A positioning nut is attached as well as other hoisting attachments.

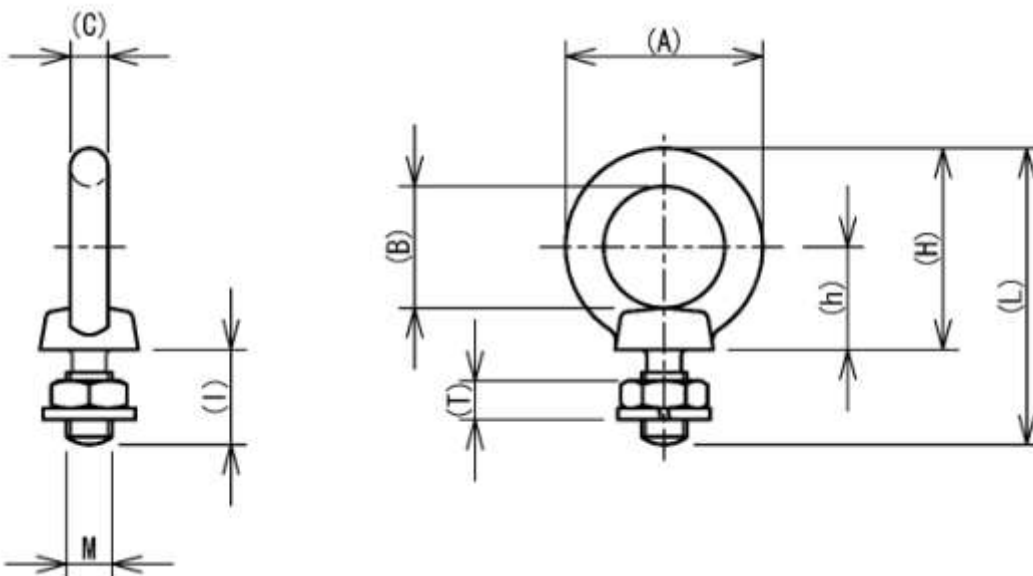
Using Images	
<p>EB-500N-M6</p> <p>DPU Series*</p> <p>Standard attachment A-1(S-1) *</p>	<p>EN-20kN</p> <p>DPU Series*</p>
<p>The sensor can be pulled easily with rope or a hook.</p>	<p>EN-20kN is suitable for using a shaft.</p>

*Two attachments for each are required for using at the top and the bottom of a sensor such as the above images.

*1 A-1 (S-1) is not including in case of purchasing a load cell only.

[Dimensions (Unit: mm)]

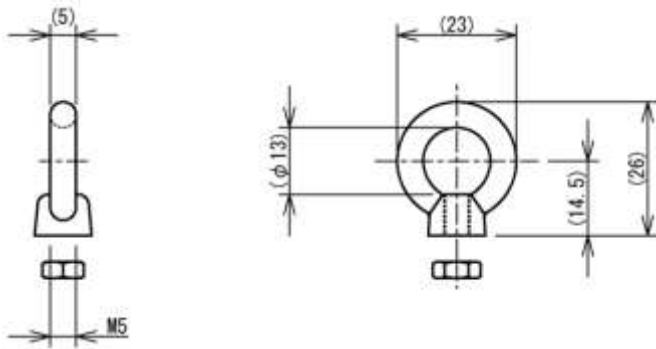
EB-500N-M6/ EB-500N-M8/EB-2000N



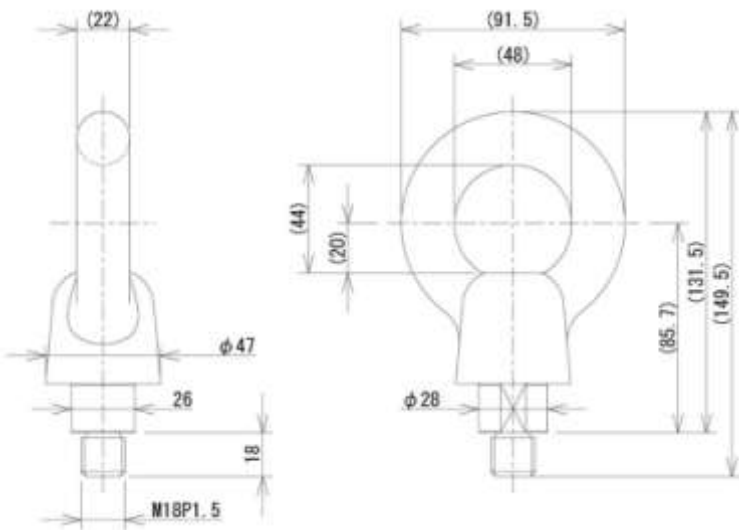
(Unit: mm)

Model	A	B	C	H	h	I	L	M	T
EB-500N-M6	26	16	5	26.5	13.5	12.5	39	6	5.1
EB-500N-M8	32.6	20	6.3	33.3	17	15	48.3	8	7
EB-2000N	50	30	10	51	26	22	73	12	10

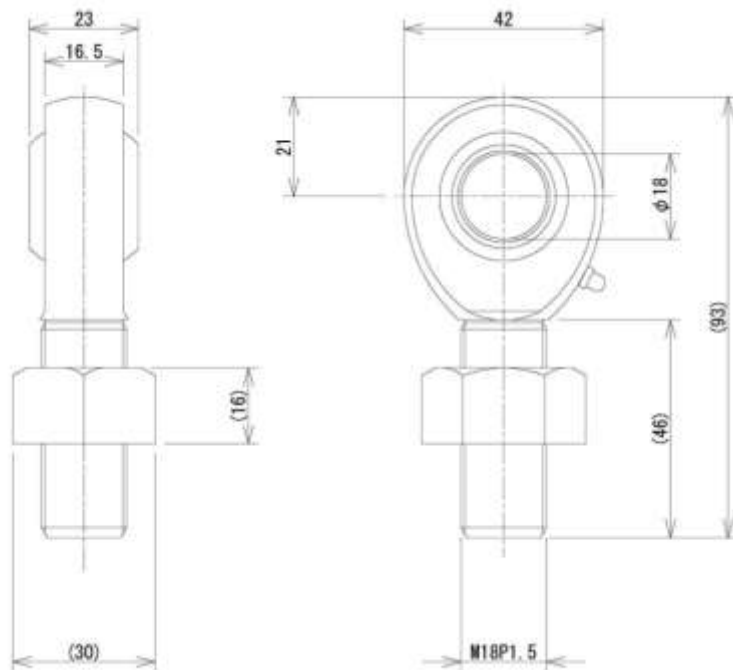
EN-500N



EB-20kN



RE-20kN



[Cautions]

- The contents may be changed without notice in advance.
- These products are designed for force measurement only. Do not use it for other purpose.
- Some sample could not be hanged depending on their material or shape.
- Do not copy and use the contents without authority.