

Attachment Adaptor JF6-50N/EJ6-1000N/EJ10-5000N

- Attachments for fixing samples and adjusting gripping positions and angles slightly.
- It can be used for tension test.
- Using with chuck type fixtures for fixing samples.

Model	JF6-50N	EJ6-1000N	EJ10-5000N
Capacity	50N	1000N	5000N
Photos			

○Attaching for force gauges

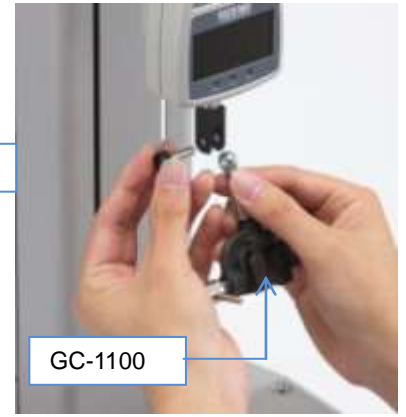
- Hooking and letting through a clasp.
- It is also possible to attach after gripping a sample

The flexible fixing order.
Users can choose the first step depending on their needs.

JF6-50N



EJ6-1000N



The included standard attachment for IMADA force gauges.

○Fixing a sample

- It is unnecessary to take a fixture off during mounting on a force gauge as positioning a chuck fixture is adaptable.

JF6-50N



EJ6-1000N



[Specifications]

Model	JF6-50N	EJ6-1000N	EJ10-5000N
Capacity	50N	1000N	5000N
Mount screw force gauge side	—	M6	M10
Mount screw chuck fixture side	M6	M6	M10
Weight	Approx.8g	Approx.29g	Approx.140g

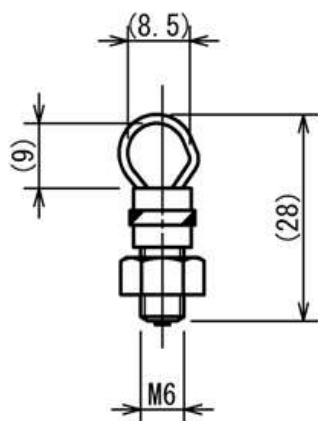
[Related products]

Film Grip FC series	Flat chuck GC series	Fine point chuck FP series	Cam grips GR series
Ideal for gripping thin samples such as film.	It can be used to fix varieties of samples.	Ideal for gripping tiny samples.	Ideal for fixing a thin and elastic samples such as rubber.

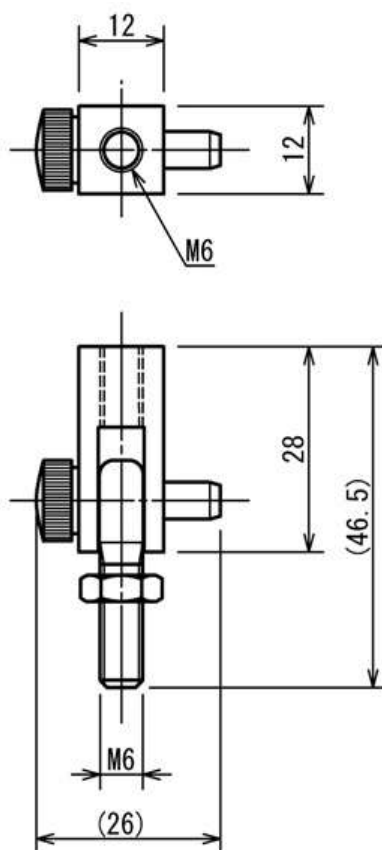
*Please refer to each specification for the detail.

[Dimensions]

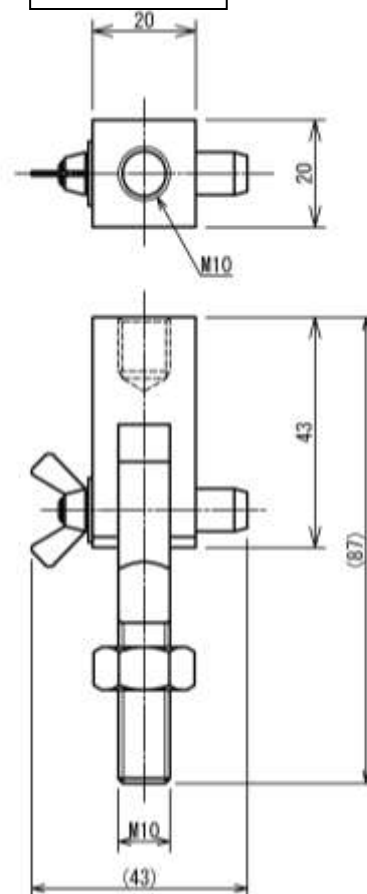
JF6-50N



EJ6-1000N



EJ10-5000N



[Caution]

- This product is designed for force measurement only. Do not use it for other purpose.
- Please pay close attention to install this products.
 - Never apply strong force or impact especially on the sensing direction.
 - Do not apply bending or torsion stress when setting up the sensing shaft to a measuring object.
- Do not use in the condition of rapid temperature changes, high temperature, high humidity, near water and dusty place.
- The contents may be changed without notice in advance.

[Please feel free to contact us \(+81-\(0\)-532-33-3288\) for your measurement.](tel:+81-0-532-33-3288)