

Wire terminal grip / CH-500N

Suitable for wire terminal clamp



[Applications]

-The cam grips are installed on the Imada's force gauge for tension test of various test pieces.

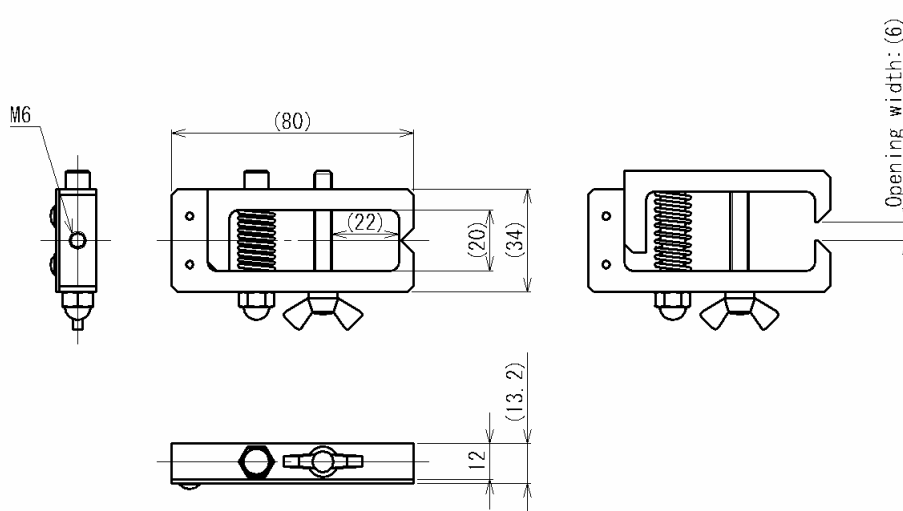
[Feature]

- Easy operation by hitching wire harness terminal
- It is possible to hold up to 6mm diameter cable

[Specifications]

Model	CH-500N
Capacity	500N
Opening width	6mm
Dimension	See below dimension
Weight	Approx.210g

[Dimension]



[Note]

- Particular materials and shape can not be used.
- When you clamp wire for opposite direction, we recommend our CW-500N-M6.
- All information is subject to change without prior notice.