





# Optional Handle

Attach to force gauge to support stable force applying.  
The handle assists to apply large force.


FOH-1



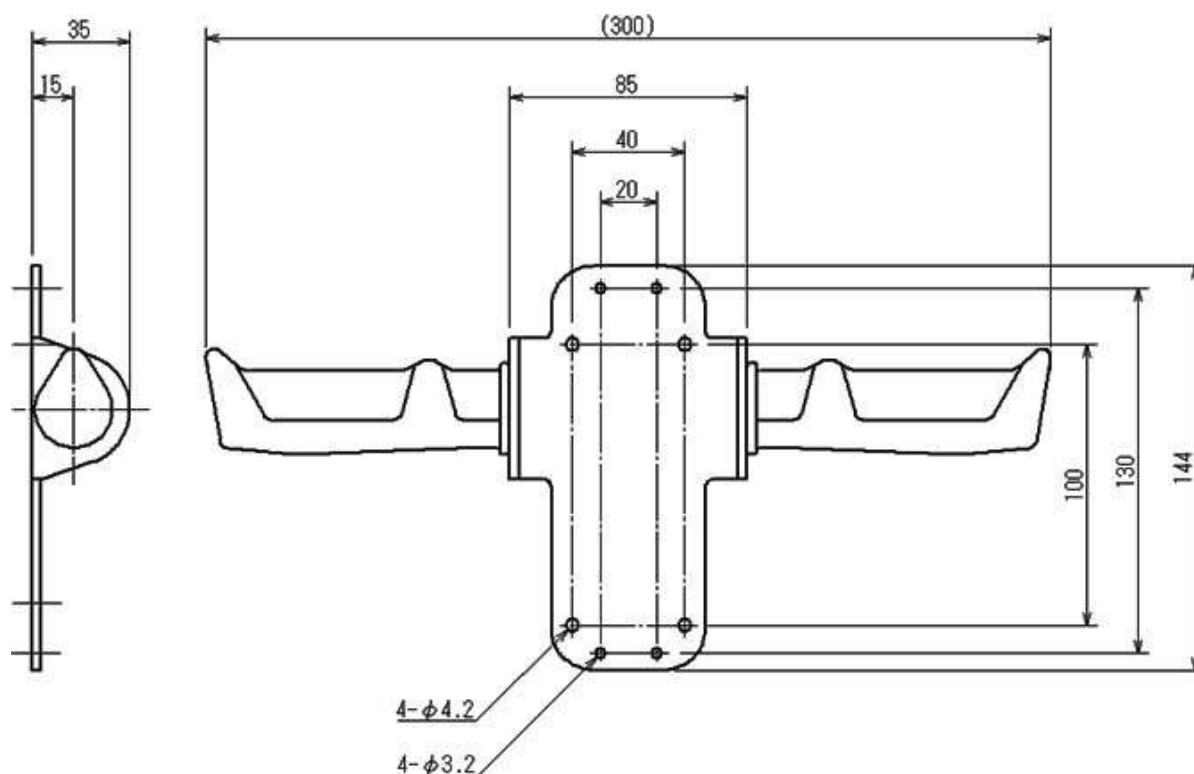
Fixable force gauge			
Digital force gauge			Mechanical force gauge
			
DS2-2N~DS2-1000N	Z2-2N~Z2-1000N	ZP-2N~ZP-1000N	FB-10N~FB-500N (*) PS-5N~PS-500N (*) PSM-20N~PSM-500N (*)

\* Kgf and lbf models are also fixable.

\* Please contact us for in case using old models.

Specifications	
Model	FOH-1
Weight	500g
Accessories	M4×L8(Pan head screw) M3×L14(Pan head screw)
Available Option	 <p>Carrying case CYCF-1 Carrying case for gauge and handle, and no need to detach handle from gauge.</p>

[Dimension]



[Cautions]

- \*The contents may be changed without notice in advance.
- \*This product is designed for measurement purpose only.
- \*Do not copy and use the contents without permission.