

Probes for Food Rheology Tester

For Compression tests 1

Simple shaped series (Disk, Cylindrical, Conical and Sphere probes)

Elasticity or stiffness can be measured by compressing or breaking with the simple shaped series probes.
 Viscosity of semi-solid samples can be measured as well with them.

Disk probe (FR-HA series)

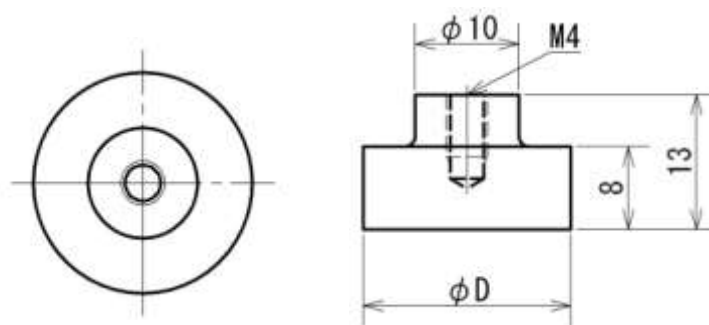
	Feature
	Disk probe can compress wide area of a sample firmly, and measure viscosity of semi-solid sample as well.
	Measurement Example
	Elasticity of sponge cake, fruits and hamburger steak. Viscosity of cheese, custard cream, and dressing
	Japanese Standard
Ø20 is compliant with the Ministry of Health, Labor and Welfare's policy of elderly dysphasia.	

[Measurement Example]

Elasticity of sponge cake	Viscosity of soup

1. Container holder table
 (FR-BG-60)

[Dimension]




*unit: mm

*We will provide made-to-order sizes of all probes and tables if required.

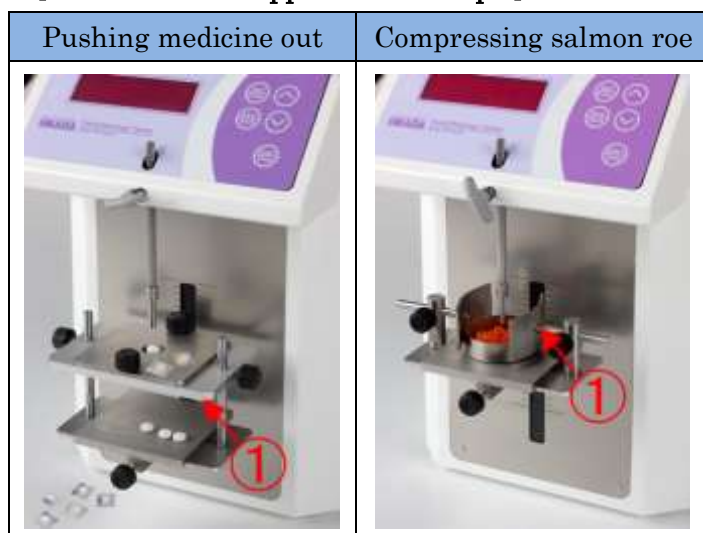
[Specification]

Model	FR-HA-20J	FR-HA-20S	FR-HA-30J	FR-HA-50J
Outside diameter of touch surface ϕD	$\phi 20$		$\phi 30$	$\phi 50$
Material	Polyacetal	Stainless steel	Polyacetal	
Weight	4g	23g	9g	23g
Capacity	50N	100N	50N	

Cylindrical probe (FR-EC series)

	Feature
	Cylindrical probe can compress a small area of a sample, so it is fit to measure force to push out or crush a sample.
	Sample example
	Stiffness of jelly, tofu, rice and beans
	Japanese Industrial Standard (JIS)
It meets JIS K6503 [Glue and Gelatin ($\phi 12.7$)]	

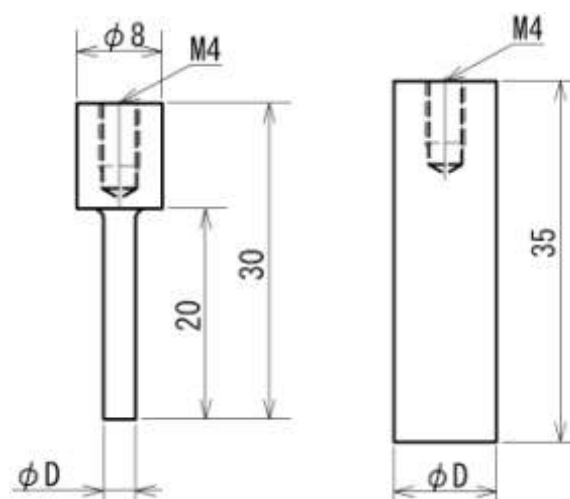
[Measurement / Application example]



1. Sample holder table
(FR-UP series)

1. Container holder table
(FR-BG-60)

[Dimension]



The outside figure A

The outside figure B

*unit: mm


*We will provide made-to-order sizes of all probes and tables if required

[Specifications]


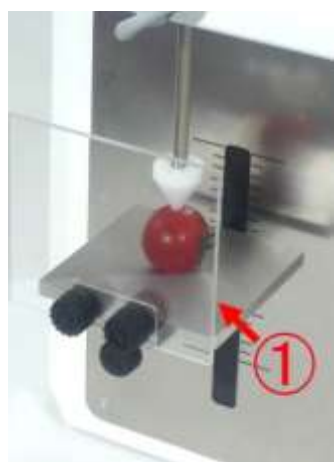
Model	FR-EC-3J	FR-EC-3S	FR-EC-5J	FR-EC-5S
Outside diameters of touch surface	Ø3		Ø5	
Material	Polyacetal	Stainless steel	Polyacetal	Stainless steel
Weight	2g	11g	2g	13g
Capacity	50N	100N	50N	100N
The outside figure	A			

Model	FR-EC-8J	FR-EC-10J	FR-EC-12.7J	FR-EC-15J
Outside diameters of touch surface	Ø8	Ø10	Ø12.7	Ø15
Material	Polyacetal			
Weight	4g		6g	9g
Capacity	50N			
The outside figure	B			

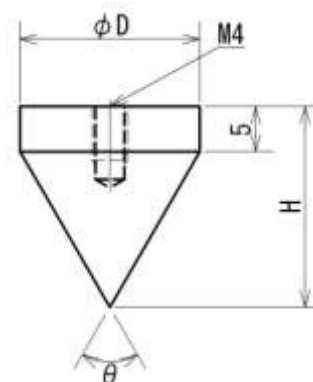
Conical probe (FR-ES series)

	Feature
	Conical probe is fit to measure how easy to penetrate a sample because of its sharp point.
	Sample example
	Vegetables or fruits skin, butter, yogurt, ice cream, hair conditioner and so on

[Measurement / Application example]

Penetrating jelly	penetrating a tomato
	

[Dimension]



*unit: mm


*We will provide made-to-order sizes of all probes and tables if required

1. Anti-scattering sheet
(FR-DP-80)

[Specifications]

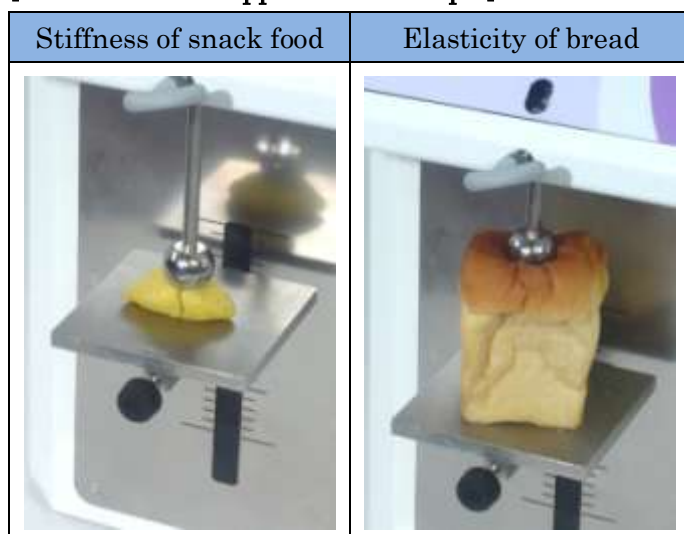
Model	FR-ES-45-20J	FR-ES-45-30J
The angle of the point θ	45	
Outside diameter ϕD	$\phi 20$	$\phi 30$
Height H	(29.1)	(41.2)
Material	Polyacetal	
Weight	4g	13g
Capacity	50N	

Model	FR-ES-60-20J	FR-ES-60-20S
The angle of the point θ	60	
Outside diameter ϕD	$\phi 20$	$\phi 30$
Height H	(22.5)	(31)
Material	Polyacetal	Stainless steel
Weight	3g	19g
Capacity	50N	100N

	Feature
	With Sphere probe, a sample can be compressed and transformed.
	Sample example
	Dough, snack food, fruits, and cheese
	Japanese Standard
	$\phi 7$ is compliant with JAS [Standard of elasticity for special packaging steamed fish paste]

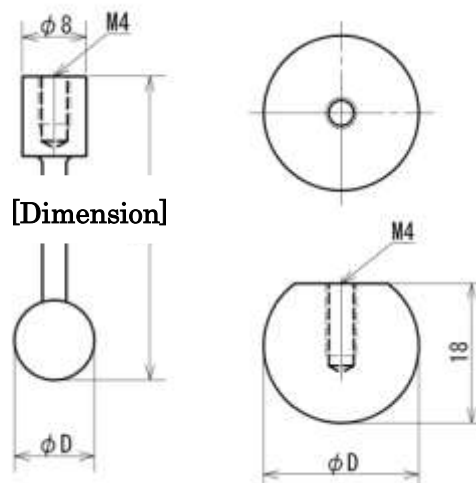
Sphere probe (FR-SR series)

[Measurement / Application example]



*unit: mm

*We will provide made-to-order sizes of all probes and tables if required



The outside figure A

The outside figure B

[Specifications]

Model	FR-SR-5S	FR-SR-7S	FR-SR-10S	FR-SR-20S
The angle of the point ØD	Ø5	Ø7	Ø10	Ø20
Height H	(35)	(35)	(38)	(18)
Material	Stainless steel			
Weight	5g	6g	9g	32g
Capacity	100N			
The outside figures	A			B

*unit: mm

*We will provide made-to-order sizes of all probes and tables if required

[Cautions]

*The contents may be changed without notice in advance.

*These products are designed for measurement purpose only.

*Do not copy the contents without permission.