


## Cutters for Food Rheology Tester

For cutting tests (Cutter, Wire-cutter, and Wedge probes)

The cutters are appropriate for cutting samples.

We offer different types of cutters for stiffness tests.

### Cutter (FR-NB-80)

	<b>Feature</b>
	It is fit to measure elastic samples such as meat or something which cannot cut well with wedge shaped probes. 2 edges are included.
	<b>Sample example</b>
	Meat, fish, and sausages

#### [Measurement / Application example]



1 Table with a trench  
(FR-GT series)

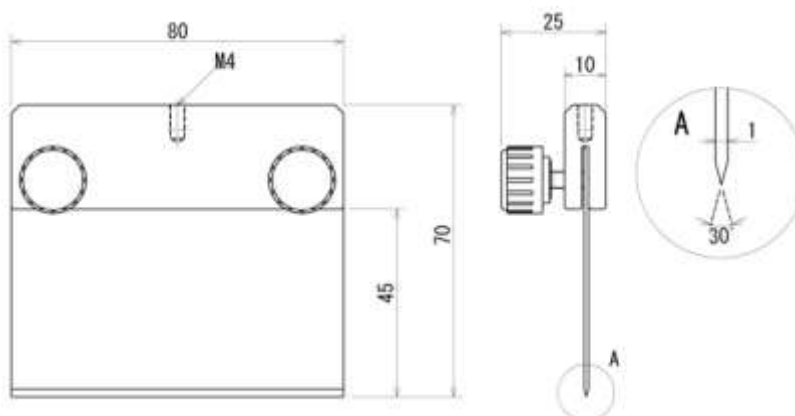
#### [Specifications]

Model	FR-NF-80
The maximum width of a sample	80
The maximum height of a sample	40
Material	Stainless steel
Weight	88g
Capacity	50N


\*unit: mm

\*We will provide made-to-order sizes of all probes and tables if required

#### [Dimension]



## Wire-cutter (FR-WK-85)

	<b>Feature</b>
	By cutting a sample with thin wire, cutting force added only from vertical direction can be measured.
	<b>Sample example</b>
	Cheese, butter or something could stick to cutter

### [Measurement / Application example]



- 1 Table with a trench  
(FR-GT series)
- 2 Anti-scattering sheet  
(FR-DP-80)

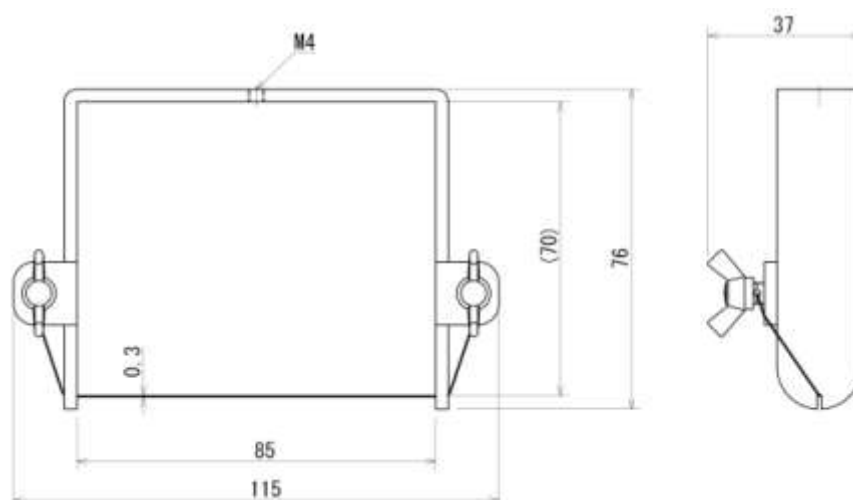
### [Specifications]

Model	FR-WK-80
The maximum width of a sample	80
The maximum height of a sample	65
Material	Piano wire
Weight	123g
Capacity	50N


\*unit: mm

\*We will provide made-to-order sizes of all probes and tables if required



### [Dimension]



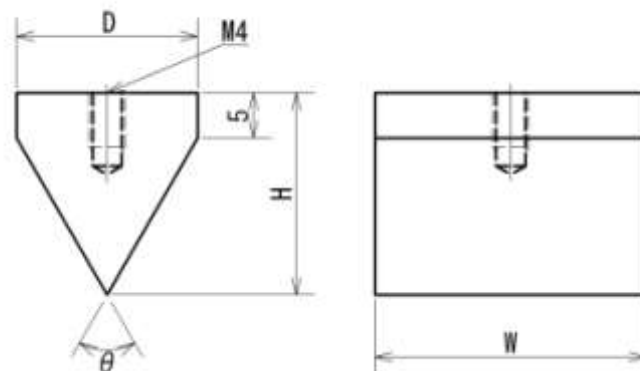
## Wedge probes (FR-KS series)

	Feature
	By pressing and cutting a sample with Wedge probes, stiffness can be measured. With 2 of them, a stiffness test can be conducted in the similar way as a person bites.
	Sample examples
	Sweet potatoes, snack food, vegetables, fruits, lipsticks and so on

### [Measurement / Application example]

A cutting test of chocolate	A cutting test of mille-feuille
	

### [Dimension]



### [Specifications]

Model	FR-KS-45-2030J	FR-KS-45-2030S	FR-KS-60-2030J	FR-EC-60-2030S
The Angle of the point $\theta$	45		60	
Depth D	20			
Width W	30			
Height H	(29)		(22)	
Material	Polyacetal	Stainless steel	Polyacetal	Stainless steel
Weight	12g	70g	10g	53g
Capacity	50	100	50	100

\*unit: mm

\*We will provide made-to-order sizes of all probes and tables if required

### [Cautions]

\*The contents may be changed without notice in advance.

\*These products are designed for measurement purpose only.

\*Do not copy the contents without permission.