

Tables for Food Rheology Tester

Optional tables 2 (Sample holder table, Stick guide plate)

Tables to hold samples are available.

Sample holder table holds a sample not to move together with a moving probe.

Stick guide plate is suitable for sticking tests.

Sample holder table (FR-UP series)



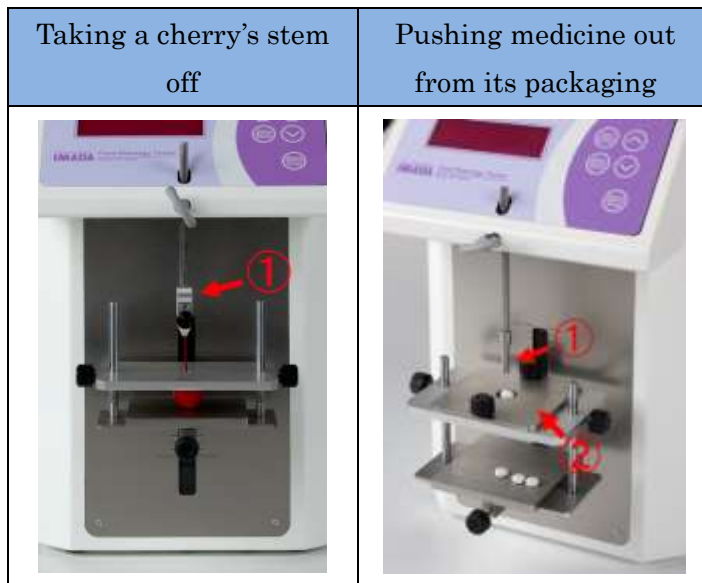
Feature

It is able to hold a sample by putting it between the 2 sheets. It is also good for push out tests.

Example of use

Taking a cherry's stem off.
 Pushing medicine out the container.

[Measurement / Application example]



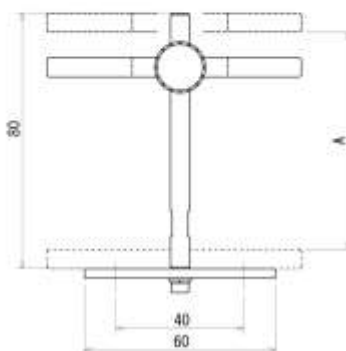
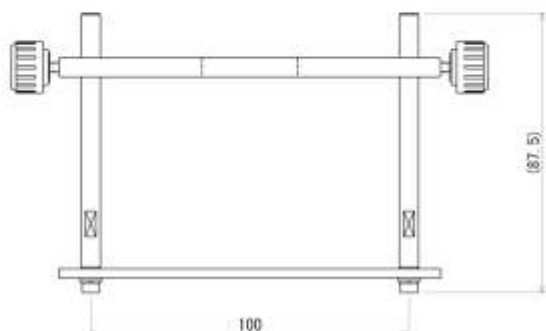
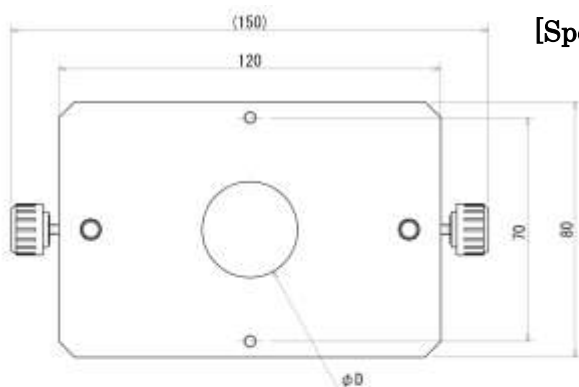
1 Small grip for FRT (FR-SC-3)

1 Cylindrical probe(FR-EC series)
 2 Stick guide plate(FR-KP series)


[Specifications and Dimension]

Model	FR-UP-5	FR-UP-10	FR-UP-25	FR-UP-50
Diameter of the hole ϕD	$\phi 5$	$\phi 10$	$\phi 25$	$\phi 50$
Material	Aluminum			
Weight	357g	355g	350g	327g

*unit: mm

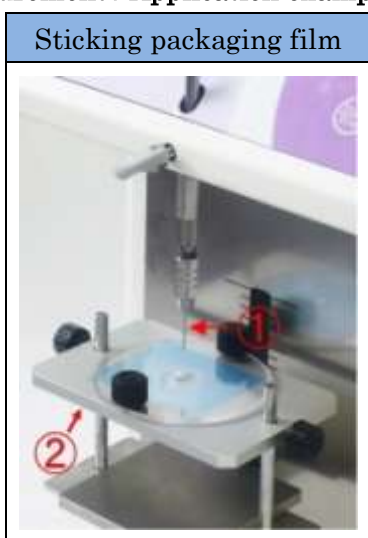


Stick guide plate(FR-KP-D)

	Feature
	It can hold a thin sample such as film, being used together with Sample holder table.
	Example of use
	For sticking tests of the lid of cup noodles and retort pouch

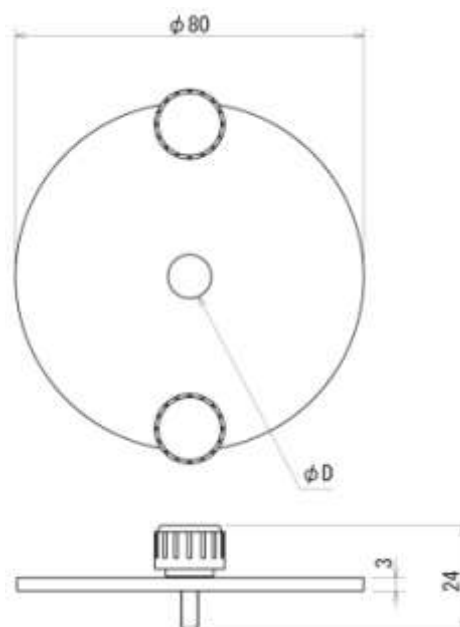
*Stick guide plate has to be used together with Sample holder table (FR-UP series).

[Measurement / Application example]



- 1 Pin vice(FR-CP-3)
- 2 Sample holder table(FR-UP series)

[Dimension of Stick guide plate by itself]



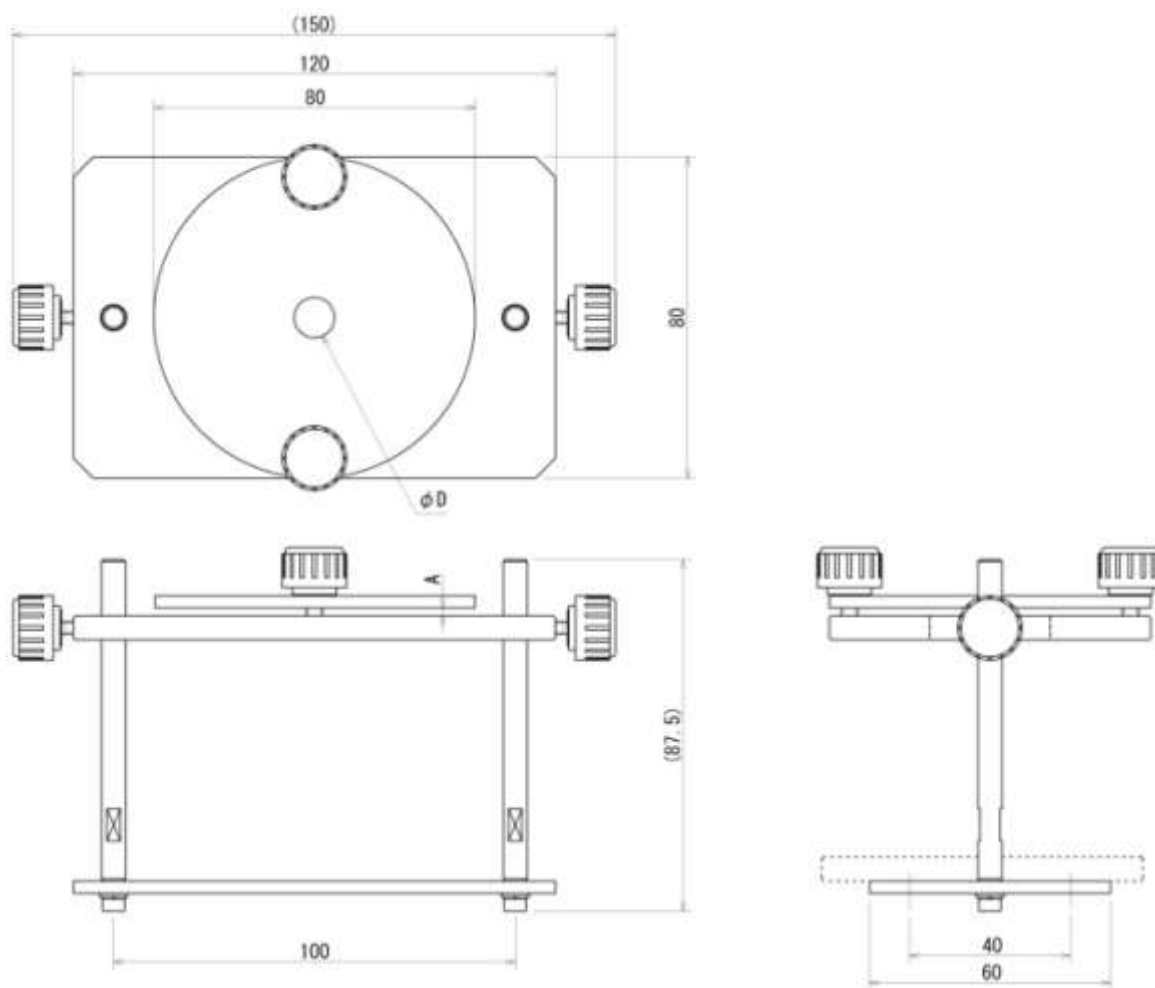
[Specifications]

Model	FR-KP-3	FR-KP-5	FR-KP-10
Diameters of the hole θ A	Ø3	Ø5	Ø10
Thickness of film	0~2		
Material	polycarbonate		
Weight	24g		

*unit: mm

*We will provide made-to-order sizes of all probes and tables if required

[Dimension with Sample holder table]



[Cautions]

- *The contents may be changed without notice in advance.
- *These products are designed for measurement purpose only.
- *Some samples could not be held depending on their materials or shapes.
- *Do not copy the contents without permission.