


Tables for Food Rheology Tester

Optional tables 3 (Container holder table, Stick holder, Anti-scattering sheet)



Tables to hold samples are available.

Anti-scattering sheet is for the prevention against sample scattering and your safety.

Container holder table (FR-GB-60)

Image	Feature	
	It holds a container not to slip down.	
	<table border="1"> <thead> <tr> <th>Example of use</th> </tr> </thead> <tbody> <tr> <td>In the case where semi-solid sample in a container is measured.</td> </tr> </tbody> </table>	Example of use
Example of use		
In the case where semi-solid sample in a container is measured.		

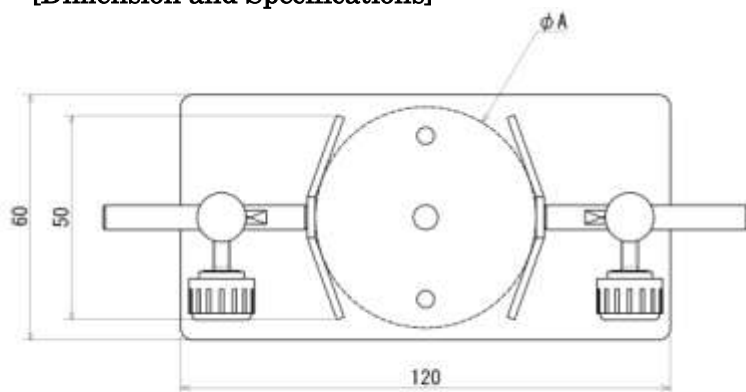
[Measurement / Application example]

Viscosity of soup	Stiffness of salmon roe
	

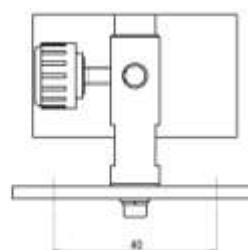
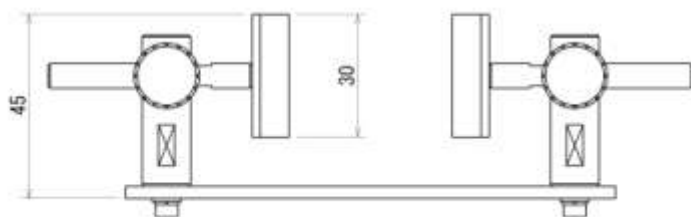
1 Disk probe

1 Cylindrical probe

[Dimension and Specifications]




Model	FR-BG-60
Maximum diameter of a container ϕA	$\phi 14 \sim \phi 80$
Maximum height of a container	15 ~ 100
Weight	295g



*unit: mm

*We will provide made-to-order sizes of all probes and tables if required.

Stick holder (FR-ST-25)

	Feature
	It is suitable to hold a stick shaped sample such as a lipstick. With it, force to bend or snap a sample can be measured.
	Example of use
	A test for the snap strength of a lipstick

[Measurement / Application example]



1 Wedge probe (FR-KS series)

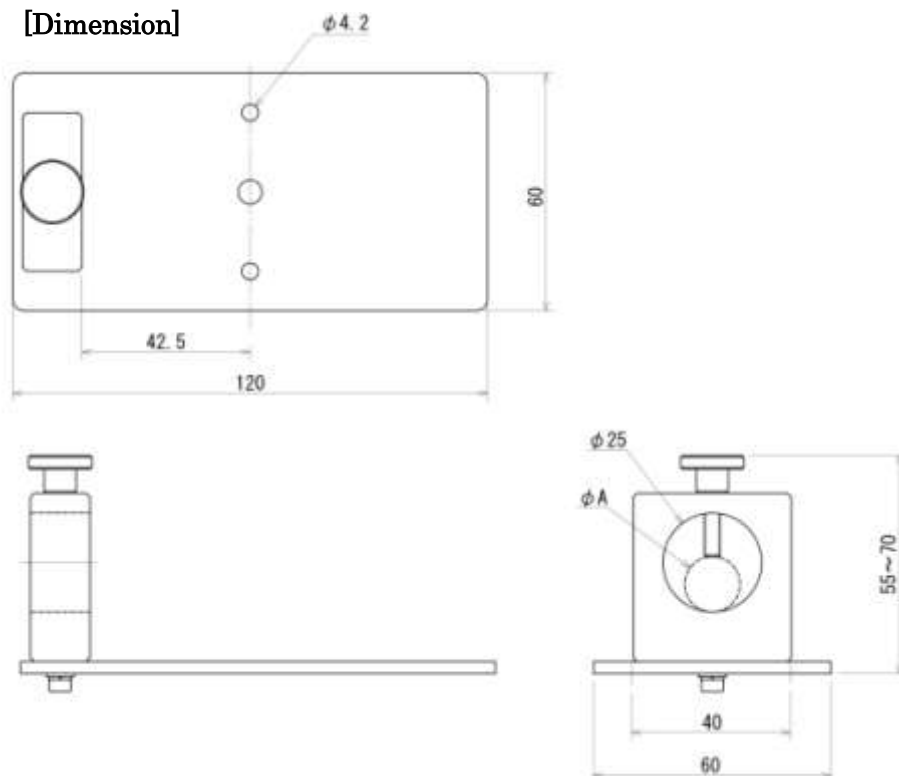
[Specifications]

Model	FR-ST-25
Diameter of a sample Ø A	Ø14~Ø25
Material	Aluminum
Weight	253g


*unit: mm

*We will provide made-to-order sizes of all probes and tables if required

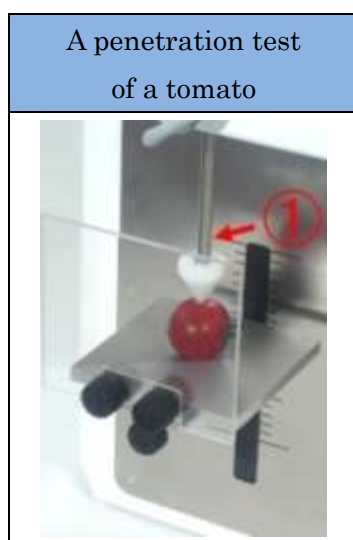
[Dimension]



Anti-scattering sheet (FR-DP-80)

	Feature
	It is useful for the prevention against sample scattering and good for your safety as well.
	Example of use
	A breaking or cutting test of tomato

[Measurement / Application example]



1. Wedge probe (FR-ES series)

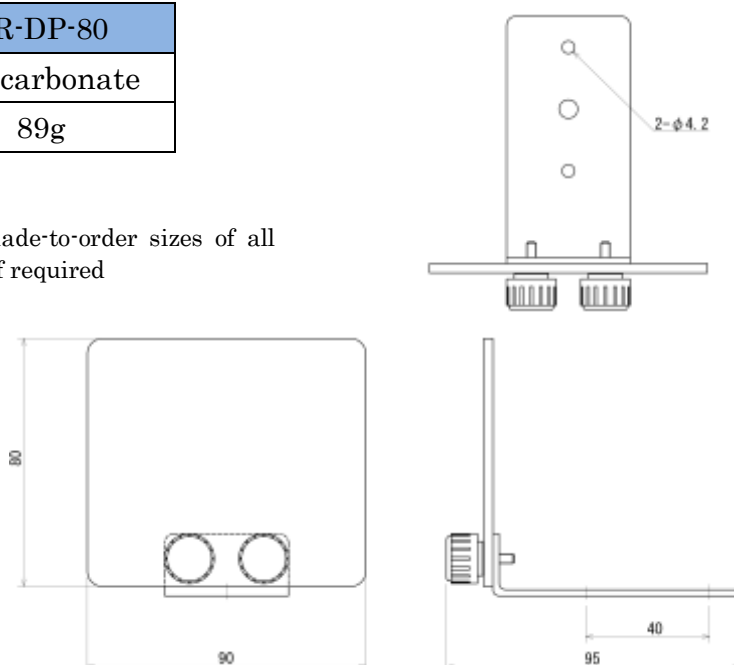
[Specifications]

Model	FR-DP-80
Material	polycarbonate
Weight	89g

*unit: mm

*We will provide made-to-order sizes of all probes and tables if required

[Dimension]



[Cautions]

- *The contents may be changed without notice in advance.
- *These products are designed for measurement purpose only.
- *Some samples could not be held depending on their materials or shapes.
- *Do not copy the contents without permission.