

Grips for Food Rheology Tester

For tensile tests

Small grip, Film grip (standard/wide), and Grip special for noodle

The grips are suitable for tensile tests of thin or stick shaped samples.
 Different sizes and types of grips are available.

Film grip series (FR-SC-3, FR-FC series)

Small grip for FRT (FR-SC-3)	Film grip for FRT (FR-FC-21)	Film grip (wide) for FRT (FR-FC-41)
Feature		
The grips are suitable for tensile tests such as taking a cherry's stem or pulling packaging film to check the tensile strength. *We sell a grip one by one, so in the case where you grip a sample from both upper and lower sides, please purchase 2 grips.		
Sample example		
Checking for force to take cherry's stem off, or the strength of packaging film and so on		

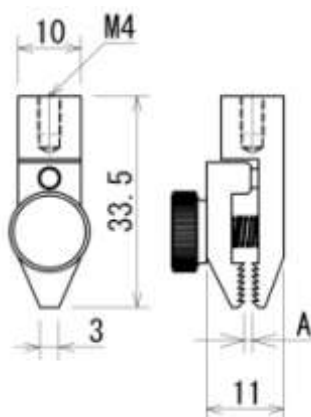
[Measurement / Application example]

Taking a cherry's stem off	Pulling film

*1 Sample holder table (FR-UP series)

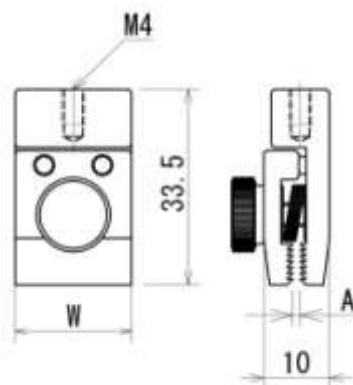
*We sell a grip one by one.

[Dimension and Specifications]



Small grip for FRT

Model	FR-SC-3
Width W	3
Opening width A	1
Material of the grip parts	Aluminum
Weight	10g
Capacity	100N




Film grips for FRT

Model	FR-FC-21	FR-FC-41
Width W	20	40
Opening width A	3	
Material of the grip parts	Aluminum	
Weight	18g	33g
Capacity	100N	

*unit: mm

*We will provide made-to-order sizes of all probes and tables if required

Grip special for noodle (FR-NP-25)

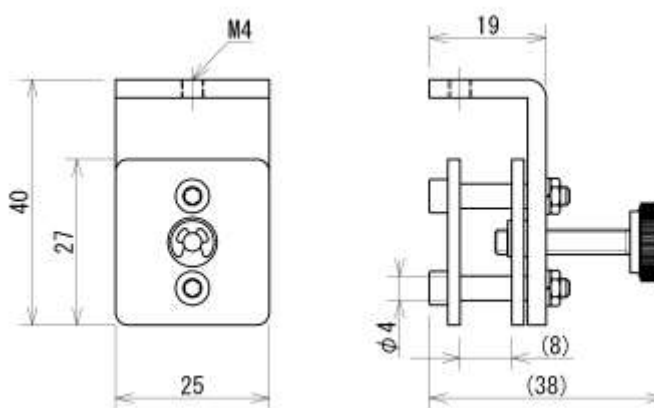
	Feature
	<p>It is fit to measure chewing texture such as pasta or noodles. It can grip wider area of a sample, so it is unlikely that it cuts a sample. *We sell one by one, so in the case where you grip a sample from both upper and lower sides, please purchase 2 grips.</p>
	Sample Example
	Pasta, noodles and so on.

[Measurement / Application example]



*We sell a grip one by one

[Dimension]



[Specifications]

Model	FR-NP-25
Maximum diameter of a sample	Ø4
Weight	53g
Capacity	50N

*unit: mm

*We will provide made-to order-sizes of all probes and tables if required

[Cautions]

- *The contents may be changed without notice in advance.
- *These products are designed for measurement purpose only.
- *Do not copy the contents without permission.
- *Some samples could not be held by the grips depending on their materials or shapes.