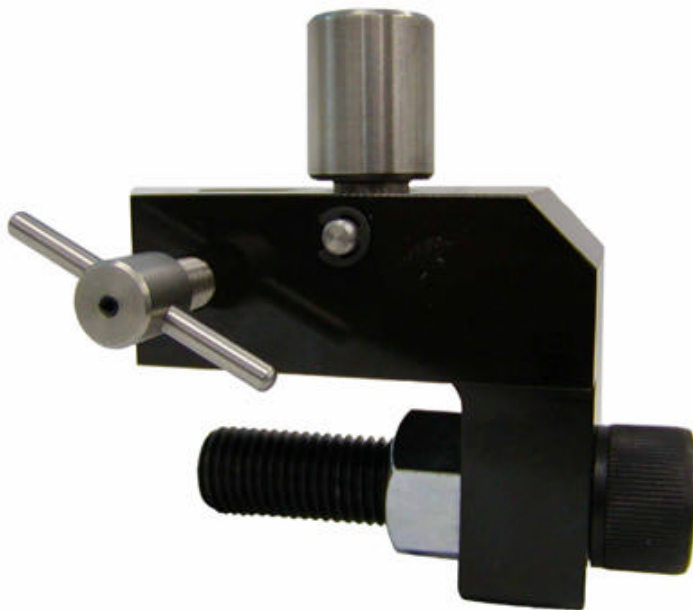


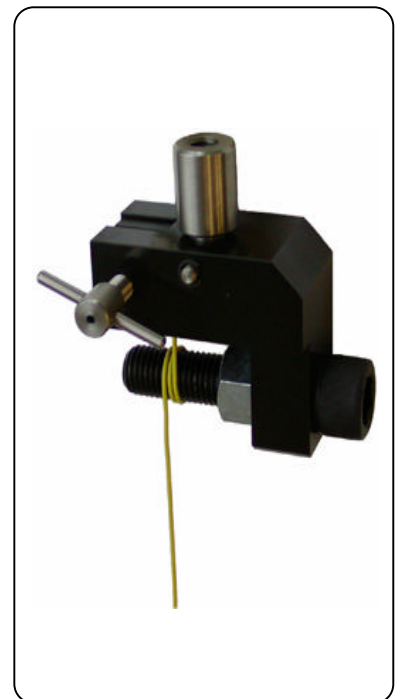
---

Wire Wrapping Grips/ GC-30, WC-2000

For measuring the strength of wires



(WC-2000)



[Applications]

The wire wrapping grips are installed on the Imada's force gauge for tension test of various test pieces.

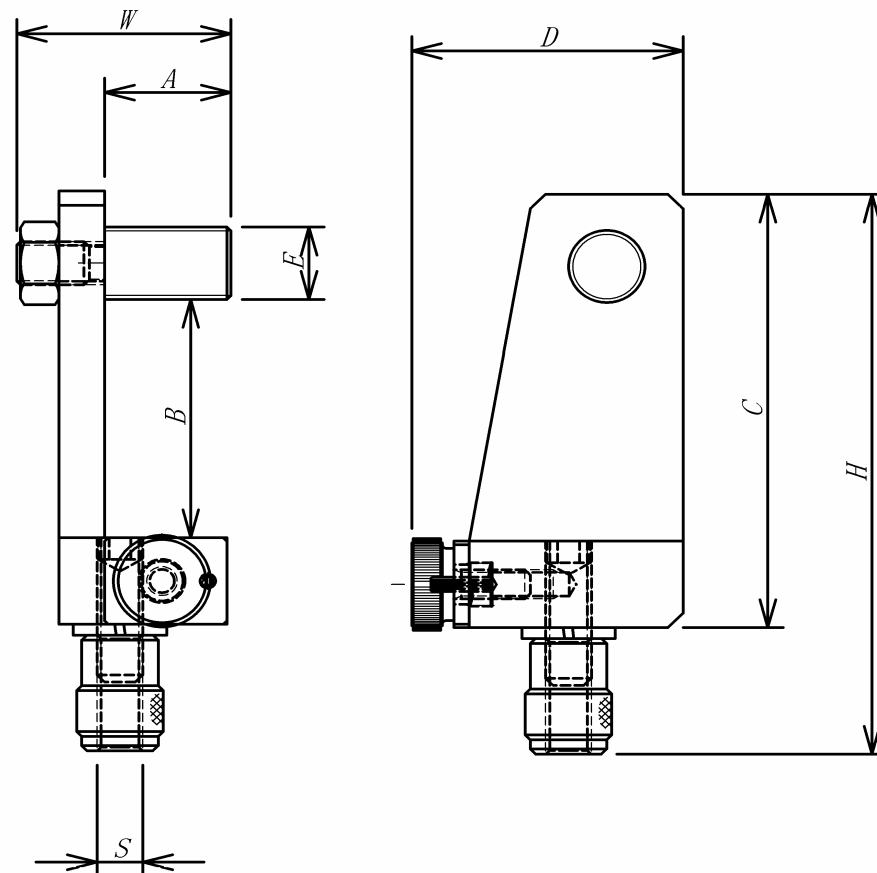
[Feature]

They are suitable for checking the strength of wires, filaments, fibers, etc.

## [Specification]

Model	GC-30	WC-2000
Type	Normal	High capacity
Maximum diameter of wire	1mm	2mm
Mounting screws [F]	M6P1	M10P1.5
Weight	136g	900g
Dimension (W×H×D)	28×77.5×36 mm	71×92×(57) mm
Inside [A]	16.5 mm	42 mm
Height from bolt to grip [B]	33 mm	15 mm
Chuck height [C]	40 mm	65 mm
Diameter of wrapping bolt [E]	M10	M16
With force gauge	PS/FB/DPS/DPX/DPZ 20N~500N	PSH/DPSH/DPZH ~2000N

## [Dimension]



## [Note]

- Particular materials and shape can not be used.
- Combining with Imada's test stand, more stable measuring becomes possible.
- All information is subject to change without prior notice.