

Attachment for shear test of IC parts

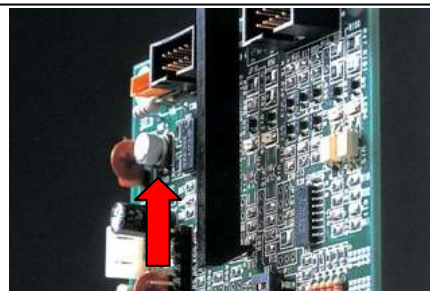
Ideal for shear (peel) test of electric components.

Small and lightweight: Suitable for lower range measurement or one in narrow space.

Low cost model.



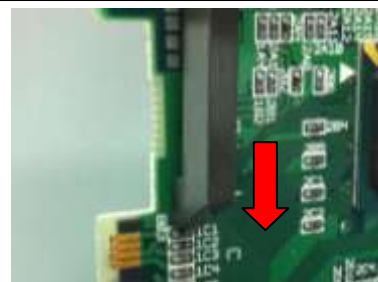
GT-10(for tension)



A component is pulled up with GT-10 to test its peel strength.



GT-20 (for compression)



A component is pressed with GT-20 to test shear strength.

Configuration example

	1. Digital force gauge	ZTS-100N Able to measure compression and tension up to 100N. *Please select appropriate range according to your measurement.
	2. Optional attachment	GT-10(for tension) or GT-20(for compression)
	3. Optional attachment	GT-30 Vice jig to fix samples
	4. Motorized test stand	MX2-500N Offers consistent testing speed and direction. *If your sample height is over 90mm, long stroke model (MX2-500N-L) might be better.
	5. Force control cable	CB-518 Connects the digital force gauge to the test stand to activate overload prevention function.
	Graphing software	Force Recorder Able to draw force-time graphing.

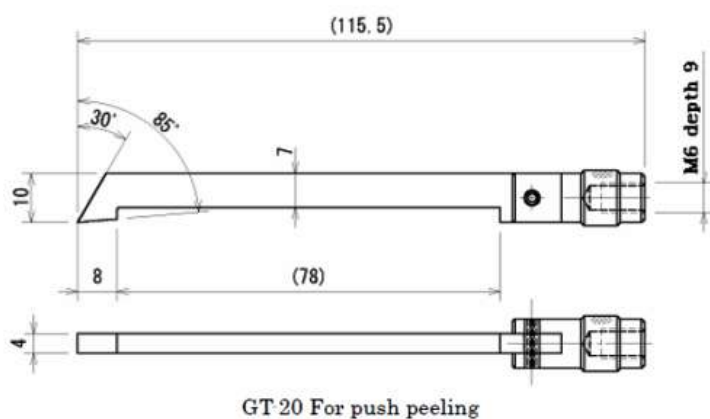
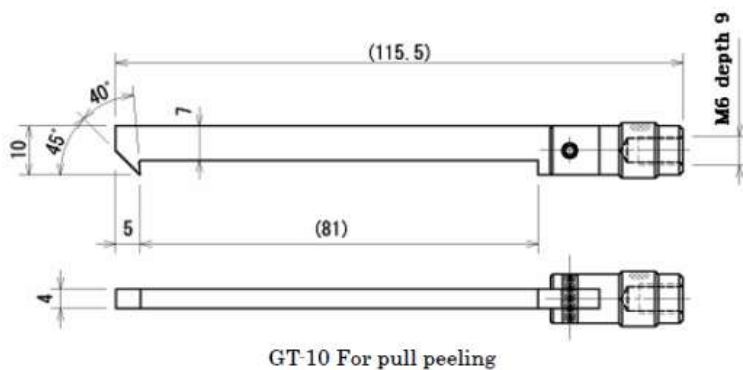
* Please select appropriate range or model according to your testing demands.

Specifications		
Model	GT-10	GT-20
Type	For tension	For Compression
Capacity	500N (50kgf)	
Mounting screw	M6	
Size	W115*φ11.3	
Weight	Approx.34g	

*GT-10 and GT-20 may not work for large or thin samples.

Related products	
	<p>Fixture for shear test</p> <ul style="list-style-type: none"> - A fixture for peel strength test of QFP lead or IC parts. - In accordance with JIS Z3198 - Precise measurement is possible since sample can be fixed well with this fixture.

[Dimensions]



- The contents may be changed without previous notice.
- All of products are designed for measurement purpose only.
- Force gauges, test stands, optional attachments are not included but necessary to carry out tests.
- Some sample cannot be measured depending on their materials or shapes.
- Do not copy and use this content without authority.

Please feel free to contact us for measurement solutions, distributor's information in your country, etc.

TEL: +81-(0)532-33-3288
Email: info@forcegauge.net