
Large Flat Heads/A-40,60 S-40,60

Ideal for general push/crush testing



[Application]

The large flat head is installed on the Imada's force gauge for compression test of various test pieces.

The head is suitable for the crush test of tablet or polyethylene terephthalate bottles.

[Feature]

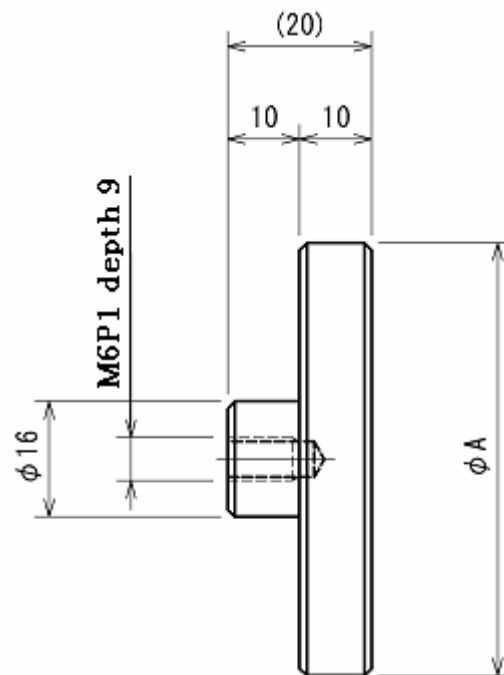
The large flat head is light and suitable for measuring minute force.

(A-40, 60 : Aluminum)

[Specifications]

	A-40	A-60	S-40	S-60
Outer diameter[A]	Diameter 40mm	Diameter 60mm	Diameter 40mm	Diameter 60mm
Material	Aluminum		Steel	
Capacity	200N		500N	
Mounting screw	M6 P1			
Dimension	Refer to the dimensional drawing			
Weight	38 g	84 g	110 g	238 g
Recommended force gauge	PS/FB/DPS/DPX/DPZ series			
	From 4.9N	From 9.8N	From 19.8N	From 29.4N

[Dimensional drawing]



[Precaution]

- Combining with Imada's test stand, more stable measuring becomes possible.
- All information is subject to change without prior notice