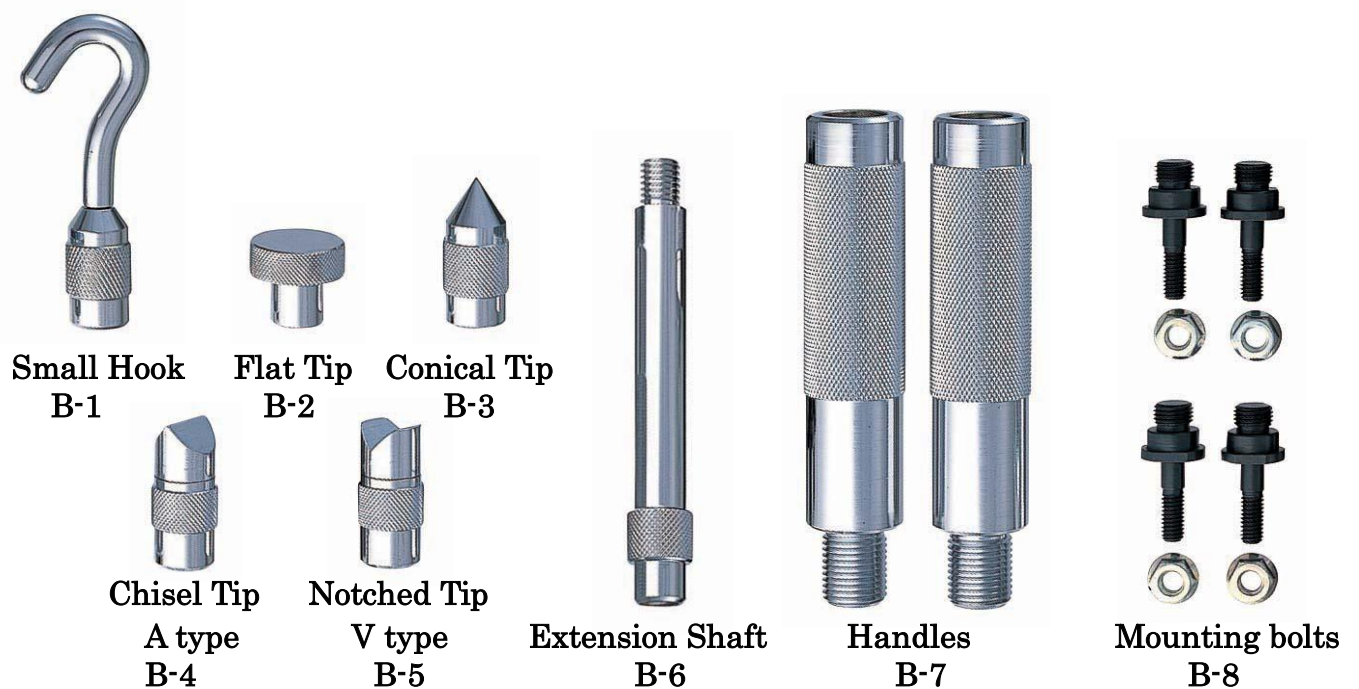


Attachments

Standard capacity model attachments



Heavy capacity model attachments



[Remark]

- They are various testing attachments for Imada's force gauges.
- They are soled separately for your requirements.
- All information is subject to change without prior notice.

[Specifications]

Model	S series (Note 1) [for standard force gauge]	B series [for high capacity force gauge]
Capacity	S-1 to 6 : 1000N (Note 2) S-7 : 1000N S-8 : 1000N	B-1 to 8 : 5000N
Mounting screw	M6 (Female)	M10 P1.5 (Female)
Dimension	Refer to the dimensional drawing	
Weight	Refer to the dimensional drawing	
Recommended force gauge	PS/FB/DS2/ZP/Z2 series 200N to 1000N	PSH/DPSH/ZPH/Z2H series 1000N to 5000N

Note 1)

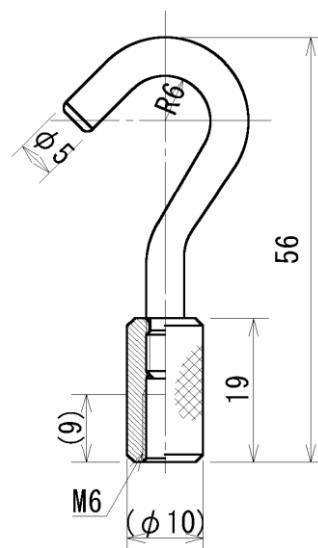
A series attachments, whose capacity is no more than 100N, are also available (Refer to the dimensional drawings on Page 5). Contact to Imada for your inquiry.

Note 2)

The capacity of S-1 (M6 Female) is 500N. SR-1 (capacity: 1000N) is available. Please contact us for this model.

Note 3)

All information is subject to change without prior notice.

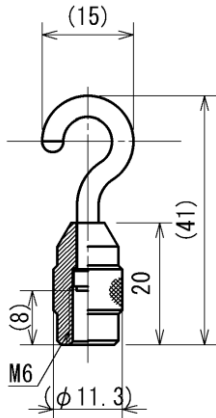


[SR-1] Small Hook

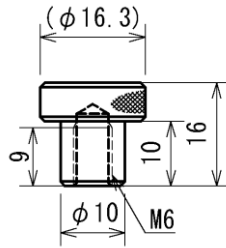
19 g

[Dimensional drawing]

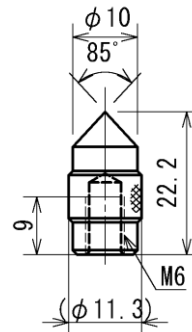
S series



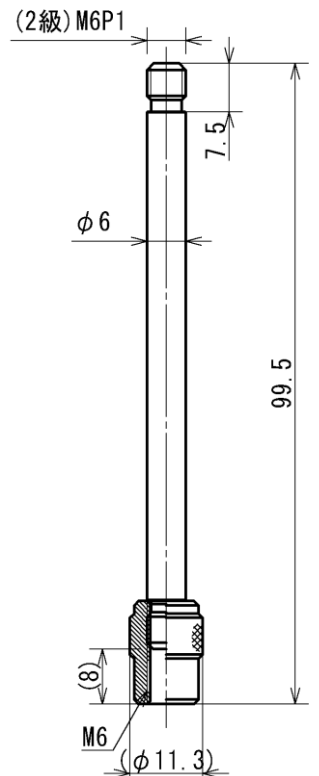
[S-1] Small Hook
13 g



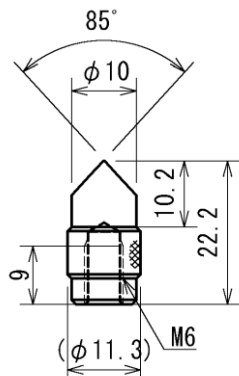
[S-2] Flat Tip
13 g



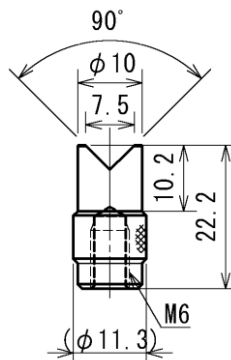
[S-3] Conical Tip
10 g



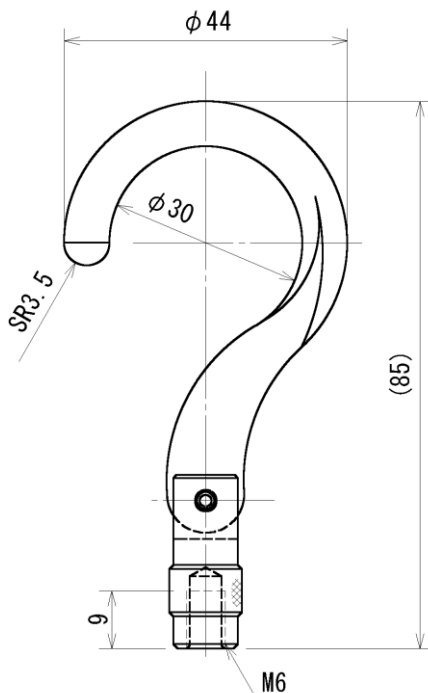
[S-6] Extension Shaft
27 g



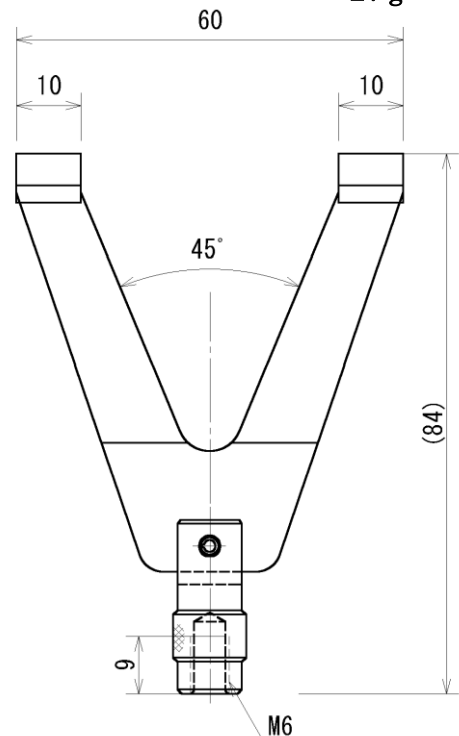
[S-4] A type
11 g



[S-5] V type
11 g

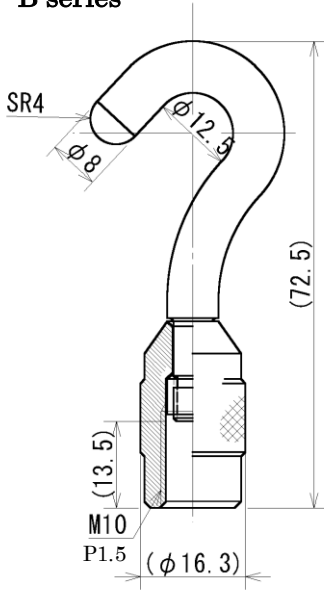


[S-7] Large Hook
44 g

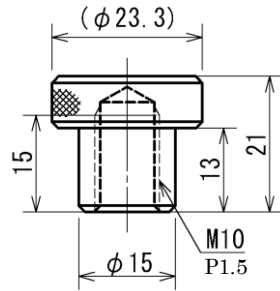


[S-8] Y Hook
58 g

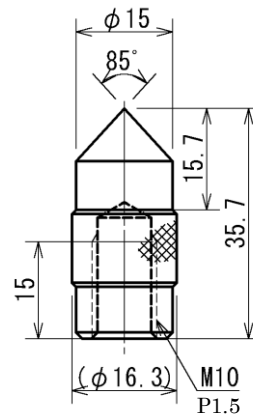
B series



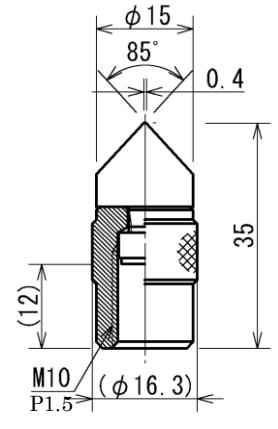
[B-1] Small Hook
59 g



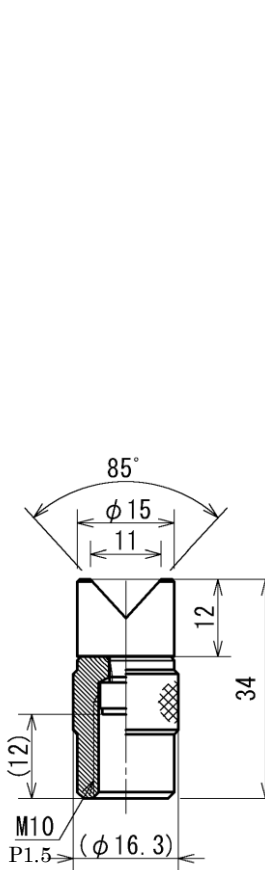
[B-2] Flat Tip
29 g



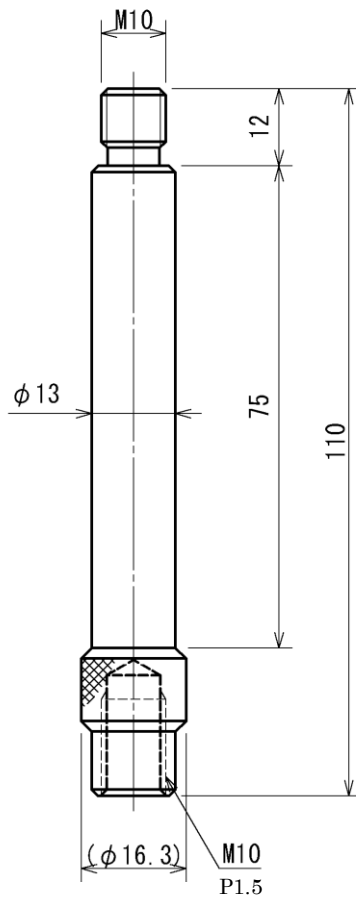
[B-3] Conical Tip
33 g



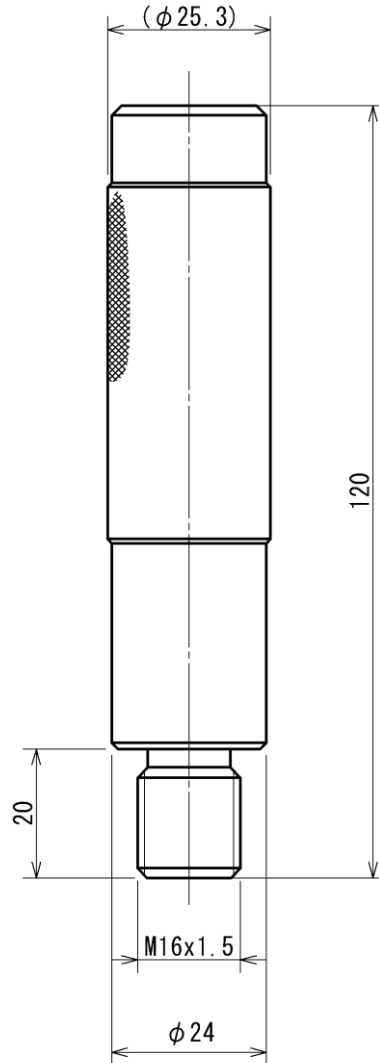
[B-4] Chisel Tip
38 g



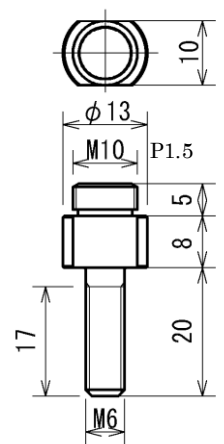
[B-5] Notched Tip
38 g



[B-6] Extension Shaft
102 g

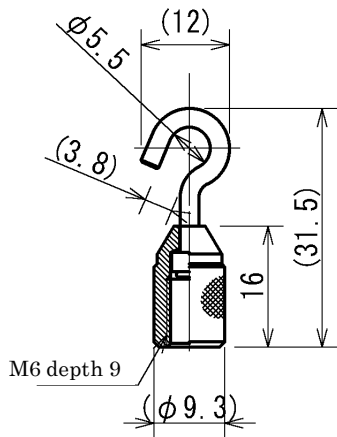


[B-7] Handle

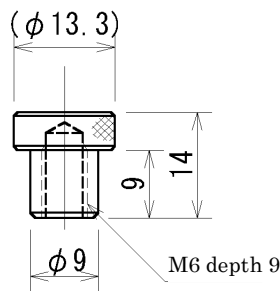


[B-8] Mounting bolts

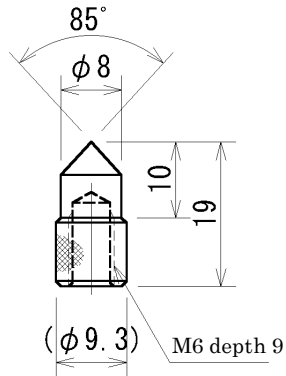
A series *Aluminum attachments for the force gauges whose capacities are no more than 100N.



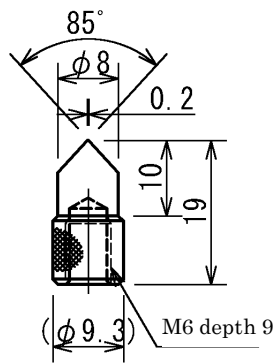
[A-1] Small Hook
3.1g



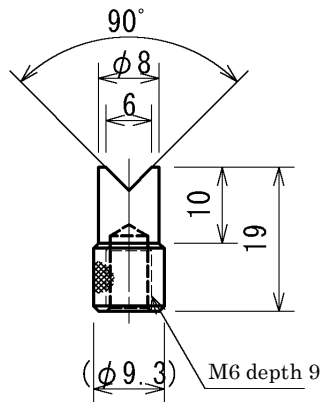
[A-2] Flat Tip
2.7g



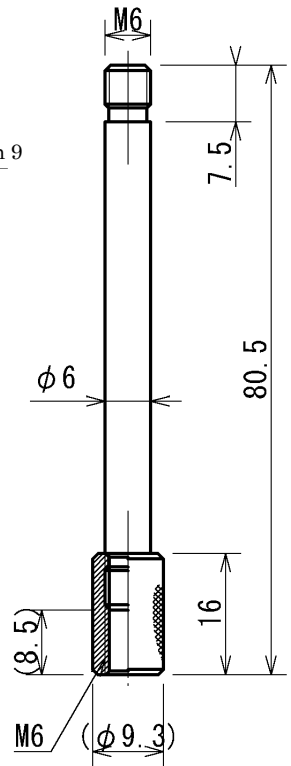
[A-3] Conical Tip
1.8g



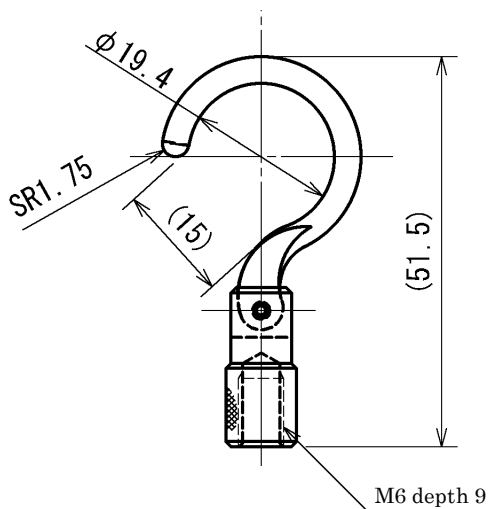
[A-4] Chisel Tip
1.9g



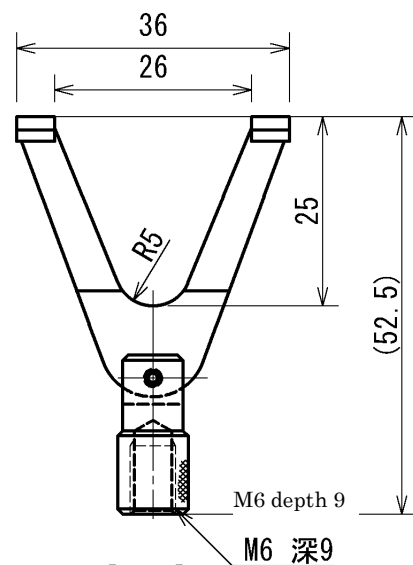
[A-5] Notched Tip
1.9g



[A-6] Extension Shaft
7.1g



[A-7] Large Hook
7.0g



[A-8] Y Hook
8.8g