

## Option Attachment

---

### XY-500N

### X-Y Stage



#### [Applications]

- Position fine parts for compression
- Position electric parts on PCB for tensile force.

#### [Features]

- Lower height for large head-room of vertical test stands.
- Metal fixtures are attached.
- Adjustable fixed position to a test stand in the depth direction.

## [Model]

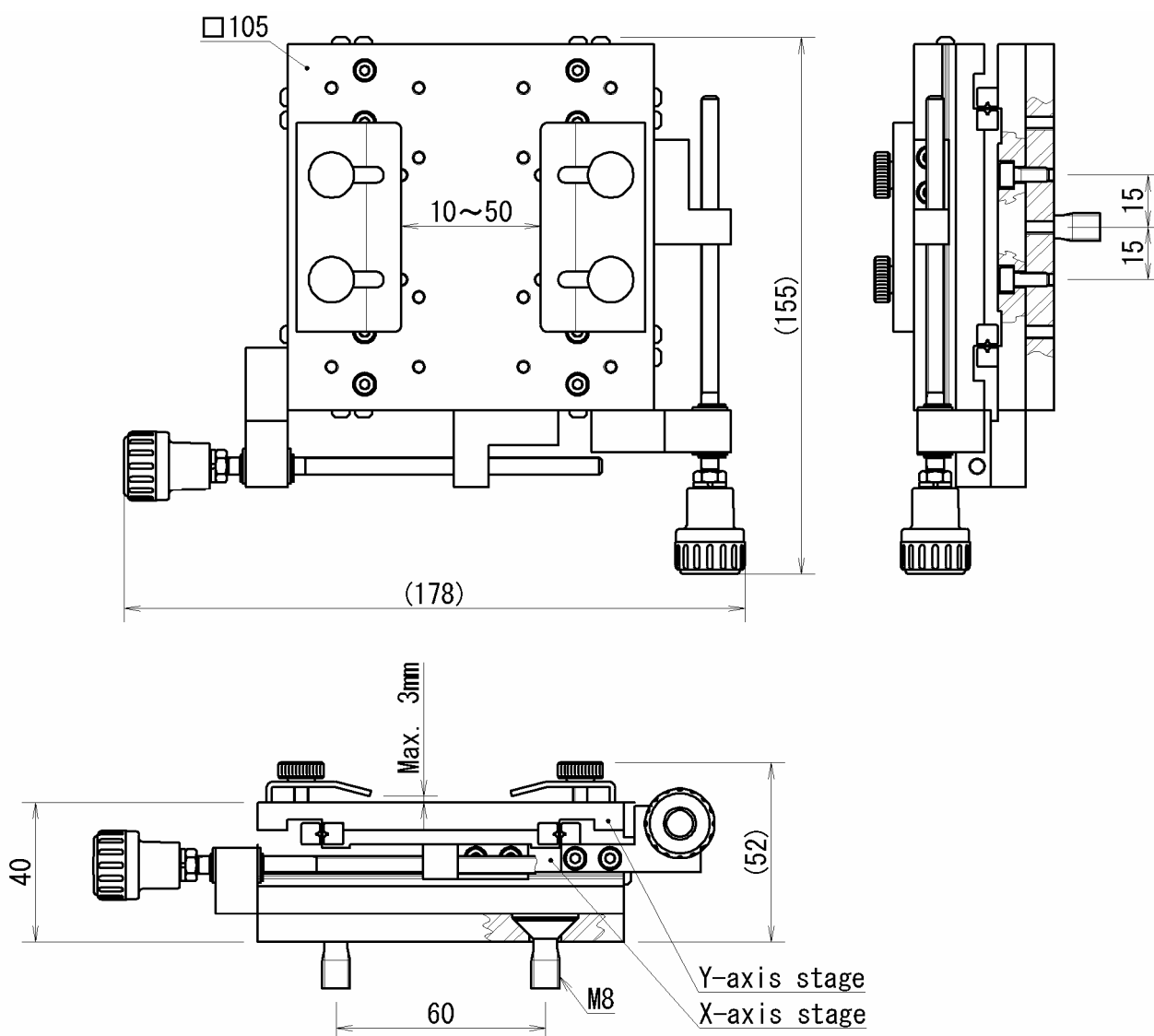
Model	Capacity
XY-500N	Tensile force: 500N Compression: 1000N

## [Specifications]

Capacity	Tensile force: 500N Compression: 1000N
Stroke	X-axis, Y-axis each +/-30mm
Feeding method	Feed screw
Travel	0.8 mm / every single turn of the knob
Table	See dimensions
Dimensions	See dimensions
Weight	Approx. 1400g
Accessories	Two metal fixtures. Instruction manual for installation
Force gauge	Imada brand manual/motorized test stand Not compatible for KV-50N and every horizontal test stand.

We offer you some customize unit under your wish. Please contact for details.

[Dimensions]



[Notes]

Force gauge (sold separately) is required for actual measuring. Please order Imada products. All information is subject to change without prior notice.