




Torque Load Cell for eZ-Connect series eHT series

The load cell can measure torque (Rotating force/ Twisting force).
Exclusive use for eZ-Connect series.
Mount an optional attachment and measure.



*The amplifier and the attachment are necessary for the measurement and display of the force.
Please refer Page 3 for the detail.

[How to Use]

 <p style="text-align: center;">Amplifier eZT</p>		 <p>*Use the torque driver HT-DBH (Separately sold).</p>
<p>Prepare the amplifier of eZ-Connect series.</p>	<p>Connect the amplifier and the load cell.</p>	<p>Measurement can be carried out promptly.</p>

*We recommend to calibrate the displayed value with a weight or others before use. We also offer the calibration services.
Please feel free to contact us for the detail if necessary.

Replaceable attachment

◎Easy operation of changing attachments.



Prepare an attachment



Insert an attachment



Turn screw by attached L wrench

The user can make the matching attachment for the sample by himself.

We offer custom made attachment for unique application.

*The load cell is NOT including any attachment.

[eZ-Connect series Load Cell specification]

Model	eHT-0.5N~10N
Feature	Torque Load Cell (Exclusive use for eZ-Connect series)
Accuracy	±0.5% F.S.
Safe overload rating	200%
Cable	Approx. 350mm(Curl Cord, when contracted)
Weight	Approx. 430g
Dimension	Please refer the dimension

[eZ-Connect series Load Cell Model List]

Model	Capacity
eHT-0.5N	50N-cm(*)
eHT-2N	2N-m(200N-cm)
eHT-5N	5N-m(500N-cm)
eHT-10N	10N-m(1000N-cm)

*Displayed unit is only "N-cm".

**Force value display/ Data management/ Operating external device
are ALL possible by combining with IMADA amplifier.**

eZ-Connect: Interchangeable sensor amplifier eZT



- [ONE amplifier can be used with multiple load cells.](#)
→It is possible to be carried out different range, circumstance and other measurements by changing load cells.
- [Basic functions are equal to ZTA.](#)

Accuracy Guarantee
-The inspection certificate by force data is NOT attached.
-Please request us the calibration or the calibration document if necessary.

[The range list connecting with eZT]

Amplifier Model	Load cell model	Capacity	Accuracy(*1)	Display	Resolution
eZT	eHT-0.5N	50N-cm	±0.7% F.S.or less	50.00N-cm	0.01N-cm
	eHT-2N	2N-m		2.000N-m(200.0N-cm)	0.001N-m(0.1N-cm)
	eHT-5N	5N-m		5.000N-m(500.0N-cm)	0.001N-m(0.1N-cm)
	eHT-10N	10N-m		10.00N-m(1000N-cm)	0.01N

* Please refer to the each amplifier specification for the detail.
*1The accuracy is only available for combinations with eZT series.

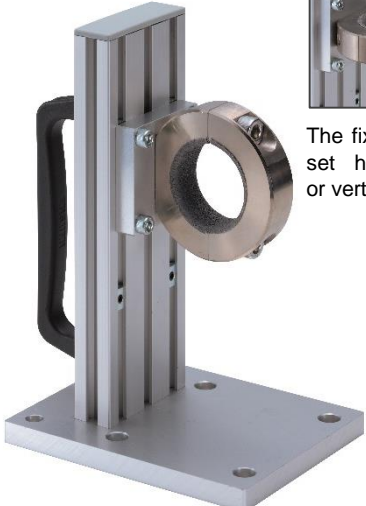

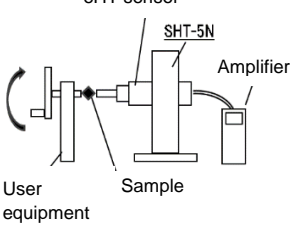

[Optional Attachment]

Expand the usage with various attachments			
Pin chuck Suitable to fix shaft and rod type samples	Socket holder Suitable to fix torque wrench	Torque driver Suitable to measure tightening and loosening torque	M10 adapter Adaptable for M10 female attachment
Large pin chuck Model : HT-DC-13 Opening width : φ1.2~13mm Weight : approx. 600g *Cannot be used for 2N-m or 0.5N-m range	Socket holder Model : HT-9.5SQ Socket : 9.5mm square Weight : approx. 100g	Torque driver Model : HT-DBH Bit : + : No.1×50 + : No.2×50 - : No.3×50 Weight : approx. 100g	M10 adapter Model : HT-AD-M10 Screw : M10×L20 Weight : approx. 50g
Standard pin chuck Model : HT-DC-6.5 Opening width : φ0.5~6.5mm Weight : approx. 200g *Cannot be used for 0.5N-m range			
Small pin chuck Model : HT-DC-4 Opening width : φ0.5~4mm Weight : approx. 100g			

*The attachments are NOT included in IMADA torque gauges.

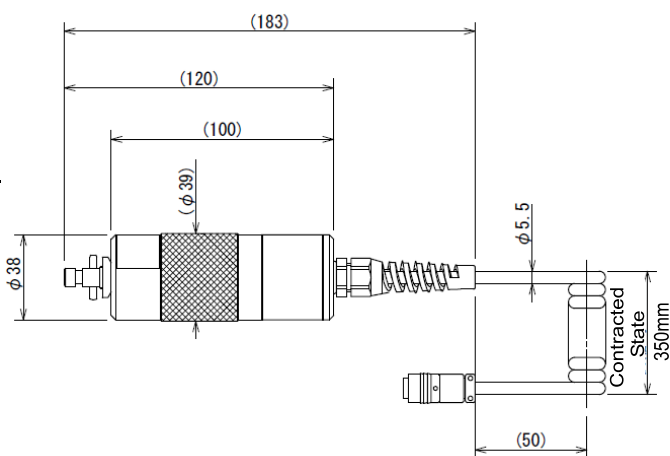
[Optional Stand]

Sensor fixation for stable measurements

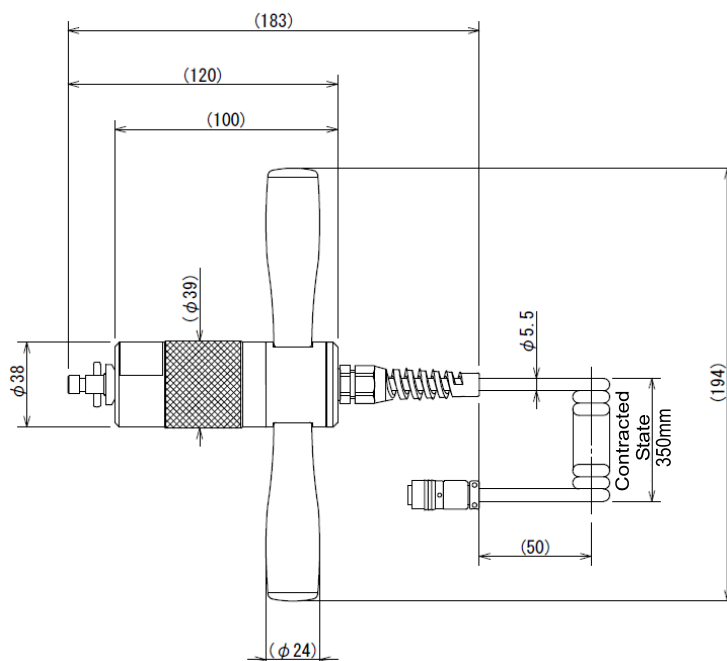
 <p>The fixation can set horizontally or vertically</p>		<p>The stand holds eHT series sensor. It realizes stable torque measurements.</p>
<p>Sensor Holder Model: SHT-5N Capacity: 5N-m (500N-cm) Weight: Approx. 1100g Dimension: Please refer Page 6.</p> <p>*DO NOT use the stand for 10N-m torque range. *It is possible to screw on equipment.</p>		<p>[Horizontal Sensor Fixing] Torque measurement of torsion spring etc.</p>
		<p>[Vertical Sensor Fixing] Turning torque of small screws or turbines. Simple screw cap measurement etc. *Use Small table HT-ST</p>

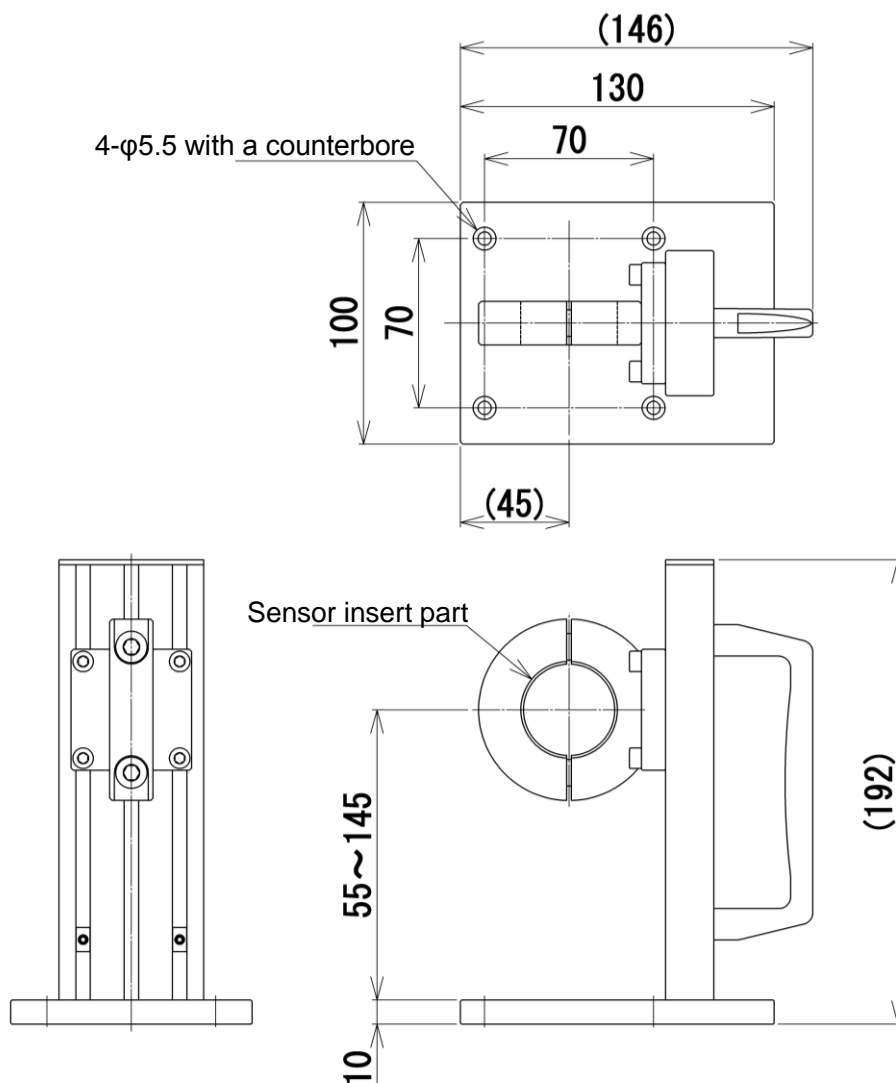
[Dimension]

eHT-0.5N/2N/5N



eHT-10N





[Cautions]

- The contents may be changed without previous notice.
- All of products are designed for measurement purpose only.
- Do not copy and use this content without authority.
- Please note if you add load over capacity, its sensor would be broken down.
- Please note that the capacity is dependent on the displayed unit. Please contact us for details.

Please feel free to contact us for the question of force and Torque measurement.

Telephone: +81-(0)-532-33-3288