


Cutters for Food Texture Analyzer

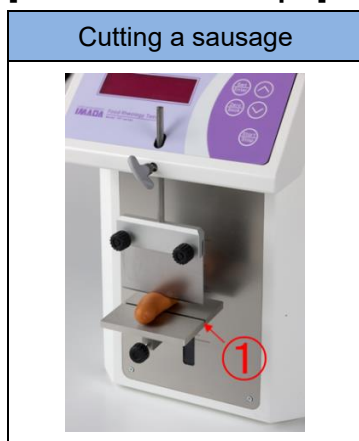
For Cutting tests (Cutter, Wire cutter, and Wedge probes)

The cutters are appropriate for cutting samples.
 We offer different types of cutters for stiffness tests.

Cutter (FR-NB-80)

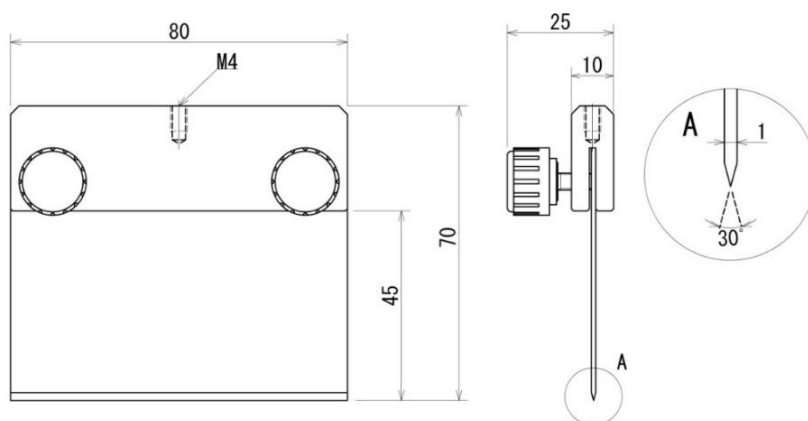
	Feature
	It is fit to measure elastic samples such as meat or something which cannot cut well with wedge shaped probes. 2 edges are included.
	Sample example
	Meat, fish, and sausages

[Measurement example]



1. Table with a trench (FR-GT series)

[Dimensions]




[Specifications]

Model	FR-NB-80
The maximum width of a sample	80
The maximum height of a sample	40
Material	Stainless steel
Weight	88g
Capacity	50N

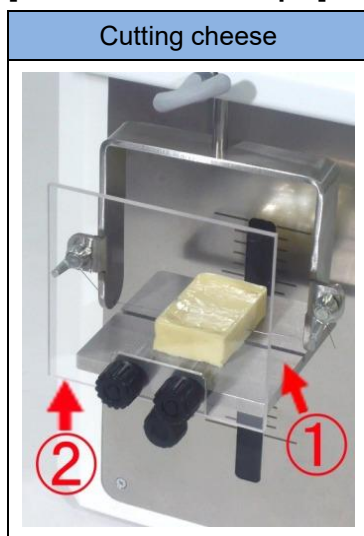
*unit: mm

*We will provide made-to-order sizes of all probes and tables if required.

Wire cutter (FR-WK-85)

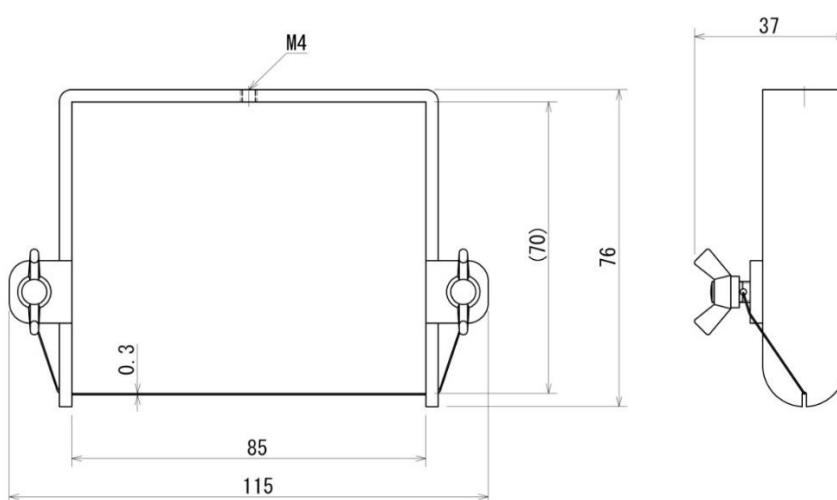
	Feature
	By cutting a sample with thin wire, cutting force added only from vertical direction can be measured.
	Sample example
	Cheese, butter or something could stick to cutter

[Measurement example]



1. Table with a trench (FR-GT series)
2. Anti-scattering sheet (FR-DP-80)

[Dimensions]




[Specifications]

Model	FR-WK-80
The maximum width of a sample	80
The maximum height of a sample	65
Material	Piano wire
Weight	123g
Capacity	50N

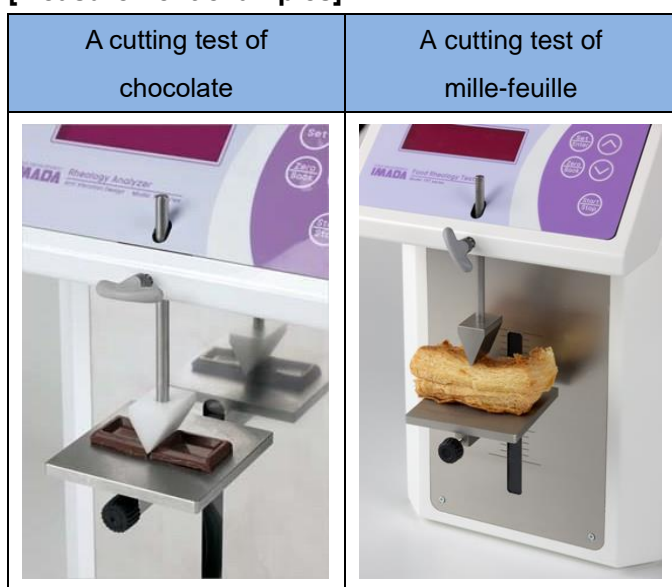
*unit: mm

*We will provide made-to-order sizes of all probes and tables if required.

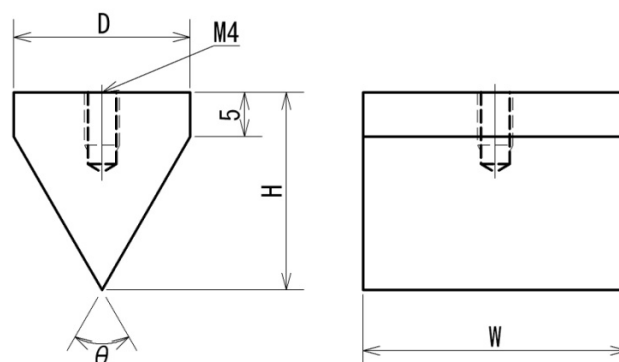
Wedge probes (FR-KS series)

	Feature
	By pressing and cutting a sample with Wedge probes, stiffness can be measured. With 2 of them, a stiffness test can be conducted in the similar way as a person bites.
	Sample example
Sweet potatoes, snack food, vegetables, fruits, lipsticks and so on	

[Measurement examples]



[Dimensions]



[Specifications]

Model	FR-KS45-2030J	FR-KS45-2030S	FR-KS60-2030J	FR-KS60-2030S
The Angle of the point θ	45		60	
Depth D	20			
Width W	30			
Height H	(29)		(22)	
Material	Polyacetal	Stainless steel	Polyacetal	Stainless steel
Weight	12g	70g	10g	53g
Capacity	50	100	50	100

*unit: mm

*We will provide made-to-order sizes of all probes and tables if required.

[Cautions]

- Information in this document is subject to change without prior notice.
- This document is product descriptions and handling precautions, and do not guarantee various characteristics or safety.
- This product is designed for force measurement purpose only.
- Do not copy and use this content without authorization.
- Some samples may not be suitable to measure with this product.

IMADA CO., LTD

99 Jinnoshinden-cho aza Kanowari Toyohashi
Aichi Japan 441-8077
Tel: +81-(0)532-33-3288
Fax: +81-(0)532-33-3866
E-mail: info@forcegauge.net
Website: <http://www.forcegauge.net/en/>



Visit our website for more information on a wide range of product specifications, measurement applications and videos.