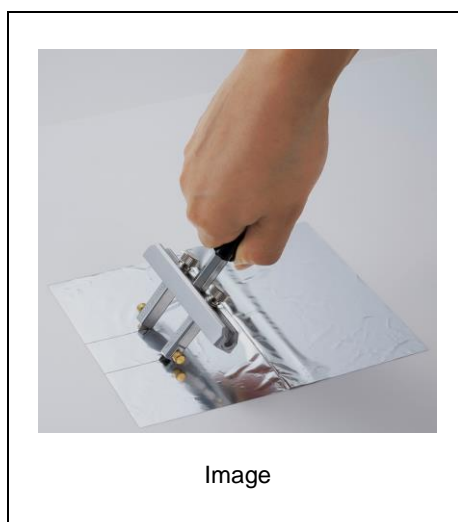


Film Cutter FSC-1525

Enables to cut a film and paper at certain width.
Designed to make a sample for ASTM F88, JIS Z 0238(1998), JIS Z 1707(2019).
Easy to adjust at 15mm or 1 inch by using the included width adjust block.



Film Cutter : FSC-1525



Image



Attachment : Width Adjust Block

Related Standard	<ul style="list-style-type: none"> • ASTM F88 「Standard Test Method for Seal Strength of Flexible Barrier Materials」 (Partly) • JIS Z 0238:1998 「Testing methods for heat sealed flexible packages」 (Partly) • JIS Z 1707:2019 「General rules of plastic films for food packing」 (Partly)
-------------------------	---

Usage of width adjust block (attachment)	
Hold the block between blades and adjust width with knobs	Able to cut a sample with fixed width.


* Depending on the sample material, the cutting width may be different from the width between blades. In such a case, readjust the blade positions accordingly if needed.

Specifications	
Model	FSC-1525
Cutting Width (mm)	15~70mm
Width Adjust Block	15mm/1inch (*1)
Dimensions	Refer to dimensions
Attachment	Width Adjust Block, 4 pcs Spare Blades(2 sets)

*1: Custom made that have different cutting width can be ordered.

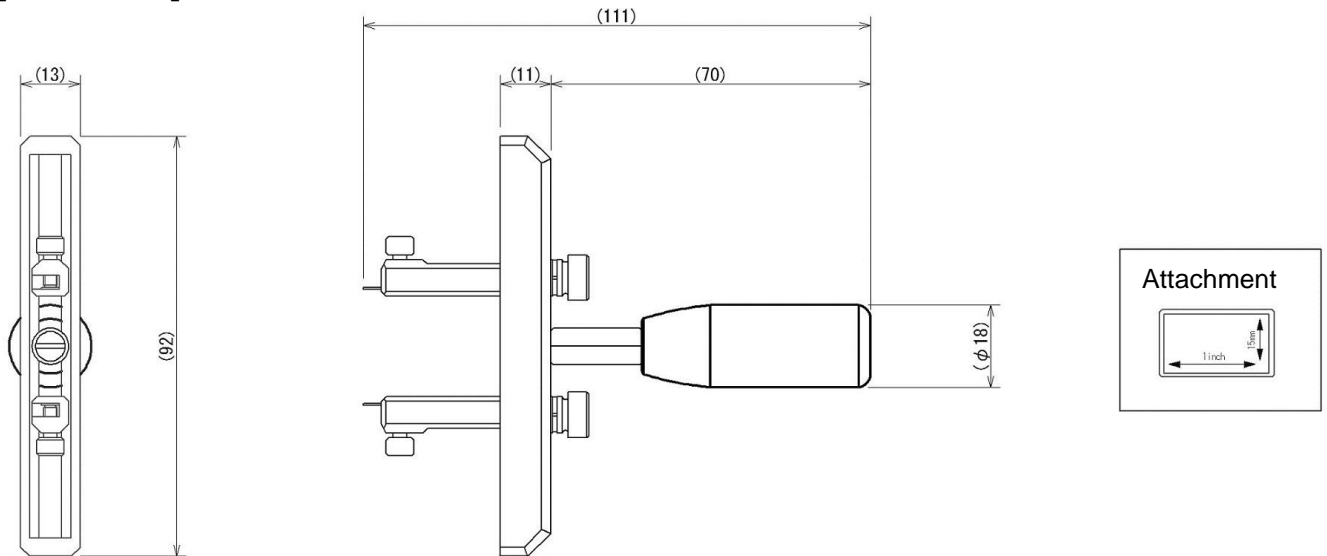
Possible range of custom made	
Cutting width	10~100mm
Width adjust block	10~100mm

[Spare Blades] Able to purchase additional spare blades

Model	Explanation	Image
FSCB-10	Spare blade used for Film Cutter FSC-1525 (10pcs)	

Related Products		
Attachment for 90 Degree Peel Test P90-200N	Attachment for 180 degree Peel Test P180-200N	Film Grip FC-21/20/40/21U/41U/21UQ
Testing attachment for products such as adhesive tapes	Testing attachment for products such as adhesive tapes	Ideal for gripping thin samples such as film. A wide range of product models are available to fit your sample.
		
Cam Grip GR-30/2000	Tape Grip GC-60/GC-100	
Designed to grip thin sample of rectangular shape.	Designed to grip extensible samples such as rubber by winding.	
		

[Dimension]



Unit: mm

[Cautions]

- Information in this document is subject to change without prior notice.
- This document is product descriptions and handling precautions, and do not guarantee various characteristics or safety.
- This product is designed for force measurement purpose only.
- Do not copy and use this content without authorization.
- This product is designed for only cutting a film or paper.
- May not be cut a sample depending on film or paper material.

IMADA CO., LTD

99 Jinnoshinden-cho aza Kanowari Toyohashi
Japan 441-8077
Tel: +81-(0)532-33-3288
Fax: +81-(0)532-33-3866
E-mail: info@forcegauge.net
Website: <https://www.forcegauge.net/en/>



Visit our website for more information on a wide range of product specifications, measurement applications and videos.