




Guide Ruler for Adhesive Tape Peel Test

GRP-50

- Designed to help correctly position the Adhesive Tapes for the Peel Tests with the Peel Test fixtures
- With the guiding, the tapes are fixed parallel to the peeling direction for accurate measurements
- The Sample positionings are easier for repeated tests to help with the testing efficiency

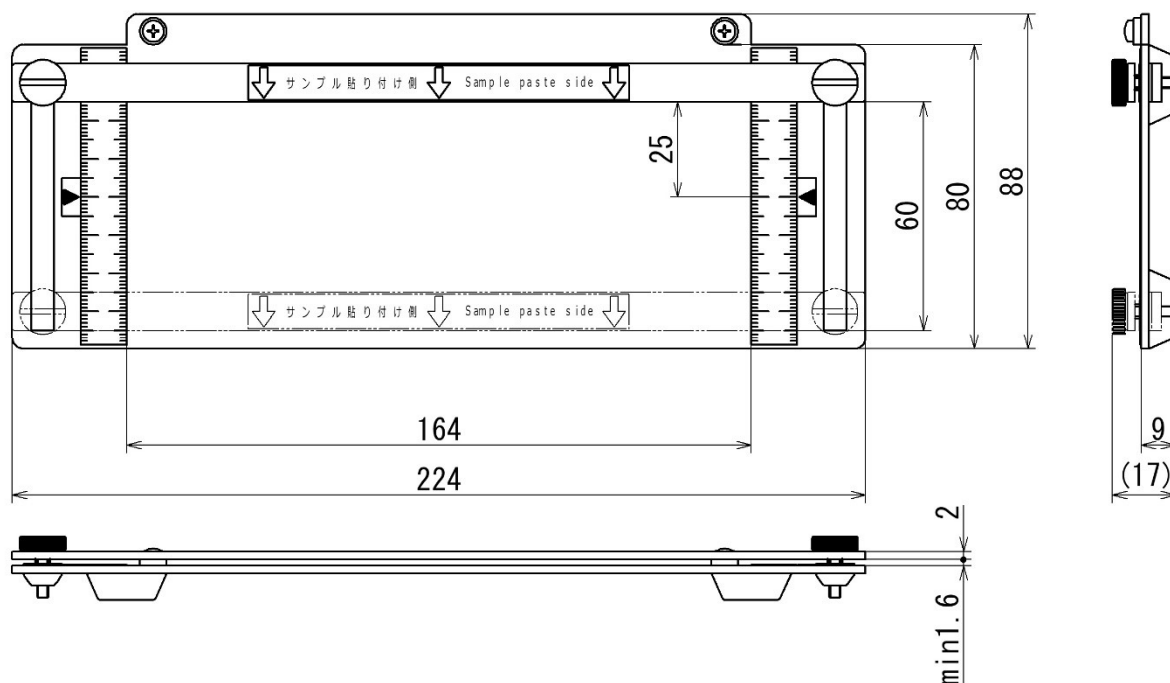


How to use		
<p>The Guide Ruler is to be used with the Peel Test Fixtures to help correctly position the Adhesive Tapes for the Peel Tests.</p>	<p>Adjust the ruler according to the sample width</p>	<p>The Sample Tapes are pasted onto the stainless panel along the Guide Ruler to achieve accurate parallel positioning (for Peel Tests).</p>
		

Specifications	
Model	GRP-50
Compatible products	P90-200N, P90-200N-EZ, P180-200N, SSP-1608
Compatible sample width	Max. 50mm
Dimensions	See [Dimensions]
Weight	Approx. 300g

Related Products	
<p>90 degree Peel Test Fixture P90-200N</p>	<p>180 degree Peel Test Fixture P180-200N</p>
<p>Sliding table for 90 degree peel test for adhesive tapes. Different sheet types can be pasted to the board for testing.</p>	<p>Testing fixture for 180 degree peel test for different types of adhesive tapes.</p>
	
<p>Rubber Roller for Peel Test APR-97</p>	<p>Film Cutter FSC-1525</p>
<p>Roller rolled on the adhesive tape samples to apply even pressure for the peel tests.</p>	<p>Cutter for making testing paper or film in strips of specific widths.</p>
	

[Dimensions]



Unit: mm

[Cautions]

- Information in this document is subject to change without prior notice.
- This document is product descriptions and handling precautions, and do not guarantee various characteristics or safety.
- This product is designed for force measurement purpose only.
- Do not copy and use this content without authorization.

IMADA CO., LTD

99 Jinnoshinden-cho aza Kanowari Toyohashi
Japan 441-8077
Tel: +81-(0)532-33-3288
Fax: +81-(0)532-33-3866
E-mail: info@forcegauge.net
Website: <https://www.forcegauge.net/en/>



Visit our website for more information on wide product specifications, measurement applications and videos.