

Z Series :

ZP for USB model

Z2 for non USB model

## Digital Force Gauge



### [Applications]

Measuring of the strength of electronic parts bonding or soldering

Measuring of contact press for touch panel or keyboard

Measuring of push / pull force for connector pin or slide cap

Pull testing of pull top can or noodle container lid

### [Features]

1 Digital display of tension and compression forces

2 Measuring units (kgf, N, lbf) are selectable.

3 Since USB output signal is equipped for ZP series, fast and easy to connect to computer.

4 1000 times sampling per second

5 Comparator function for setting Hi / Lo point values

6 Memory function to store data for analysis

7 Reversible display function

8 Overload prevention LED and alarm

9 Push and Pull peak hold by one cycle

## [Specifications]

Model	ZP	Z2
Unit	kgf/(k)N/lbf or gf/N/ozf Selectable	
Display	4 digit LCD·Unit-Mode-Overload LED·Comparator LED [Reversible]	
Sampling speed	1000 times/sec	
Display update	10 times/sec	
Usage Capacity	According to each capacity	
Overload capacity	200%F.S. (LED flashing and buzzing beyond 110%)	
A/D converter	24bit delta sigma	
Micro processor	8 bit 1 tip microprocessor	
Accuracy	+/- 0.2% F.S. +/- 1 digit	
Battery use	8 hours continuous use with full charge Approx. 10 hours for charge	
Use temperature	0+40 degree Celsius	
Power	Internal NiMH rechargeable battery, AC adapter	
Output	USB	Mitutoyo digimatic
	Analog (+/- 2V F.S.)	
	Serial RS232C	
	Comparator signal (+NG, OK, -NG) : Open collector MAX30V10mA	
	Overload warning signal (OVL) : Open collector MAX30V10mA	
Peak hold	Compression or tension, compression and tension	
Comparator function	Programmable high/low set points with color coded indicators	
Memory function	1000 measurement values	
Display reverse function	Measurement value and unit	
Alarm	Overload and +NG(ON/OFF selectable)	
Other functions	Auto zero clear (1.0~25 sec setup) damping mode (7 level setup )	
Auto power OFF	5, 10, 30, 60 minutes, and OFF selectable	
Accessories	USB cable1.5m, driver CD-ROM	-
	8 attachment, AC adapter, instruction manual, Carrying case	
External connecting switch	Display hold, zero clear, and peak/track select	

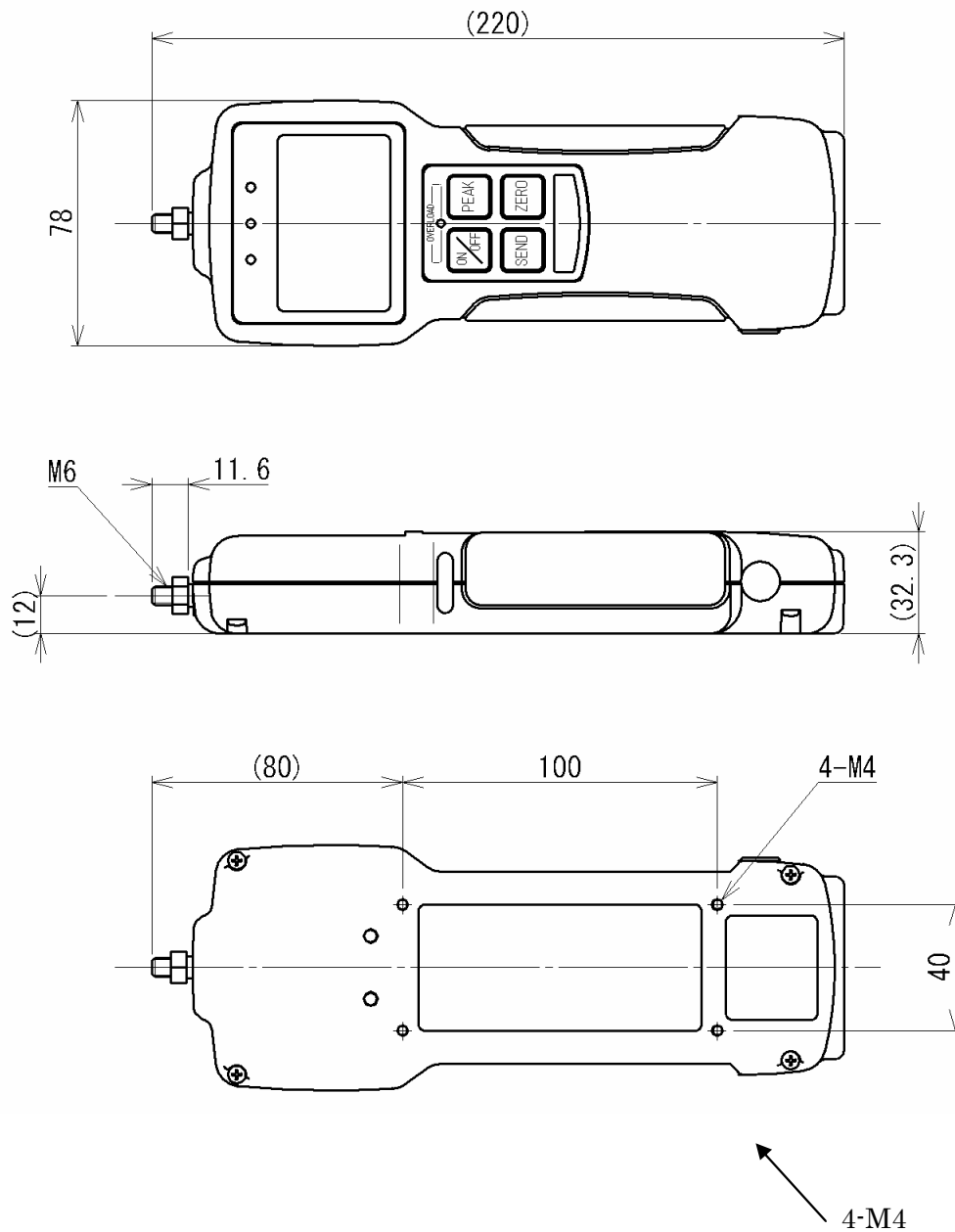
Note 1) Since commercial power supply voltage varies in the area where the gauge is used, three types (100V, 120V, 230V) of voltage adapters are available. Please specify the confirmed voltage for the commercial power supply when you order.

## [Available models]

Model	Capacity	Display	Resolution
ZP(Z2)-2N	2N(200gf)	2.000N(200.0gf)	0.001N(0.1gf)
ZP(Z2)-5N	5N(500gf)	5.000N(500.0gf)	0.001N(0.1gf)
ZP(Z2)-20N	20N(2Kgf)	20.00N(2.000Kgf)	0.01N(0.001Kgf)
ZP(Z2)-50N	50N(5Kgf)	50.00N(5.000Kgf)	0.01N(0.001Kgf)
ZP(Z2)-100N	100N(10Kgf)	100.0N(10.00Kgf)	0.1N(0.01Kgf)
ZP(Z2)-200N	200N(20Kgf)	200.0N(20.00Kgf)	0.1N(0.01Kgf)
ZP(Z2)-500N	500N(50Kgf)	500.0N(50.00Kgf)	0.1N(0.01Kgf)
ZP(Z2)-1000N	1000N(100Kgf)	1000N(100.0Kgf)	1N(0.1Kgf)

[Dimension]

ZP/Z2 series



[Note]

- \*Do not apply excess force, torque, or impact on the measuring axis regardless to the power is on/off.
- \*Do not use the gauge under the condition of the rapid temperature changes, high temperature, high humidity, near water and dusty place.
- \*Keep the gauge in the exclusive carrying case when it is not used.
- \*The use of the test stand made by Imada is recommended for the stable measuring result.
- \*All information is subject to change without prior notice.