

Rubber Roller APR-97 for Peel Test

Precise peel measurement by pasting a sample with certain pressure
 Designed to meet ISO standard test requirement






Rubber Roller for Peel Test : APR-97

Related Standard	<ul style="list-style-type: none"> • ISO 29862:2018 Self adhesive tapes--Determination of peel adhesion properties(Partly) • ISO 29863:2018 Self adhesive tapes--Measurement of static shear adhesion(Partly) • ISO 29864:2018 Self adhesive tapes--Measurement of breaking strength and elongation at break(Partly) <p>(Corresponding Japanese Industrial standard: JIS Z 0237:2009)</p>
-------------------------	---

Specifications	
Model	APR-97
Mass	Approx. 2000g(*1)
Width	45mm
Material	Rubber(Hardness:A80)
Dimensions	Refer to dimensions

*1 1000g mass roller can be ordered for Japanese Industrial Standard JIS Z 0237: 2009

Related Products		
90 degree Peel Test Fixture P90-200N	180 degree Peel Test Fixture P180-200N	High speed peel strength tester IPTS-20N/50N
Testing fixture for products such as adhesive tapes	Testing fixture for products such as adhesive tapes.	Specialized peeling tester features high productivity with a wide speed range up to 1500mm/min.
		

ASTM standards of custom made
Custom made product applicable with following standards can be ordered. • ASTM D3330/D3330M 「Standard Test Method for Peel Adhesion of Pressure-Sensitive Tape」 (Partly)(*1) • ASTM D6252/D6252M 「Standard Test Method for Peel Adhesion of Pressure-Sensitive Label Stocks at a 90°Angle」 (Partly)(*2)

*1 Weight differs from related standards ISO.

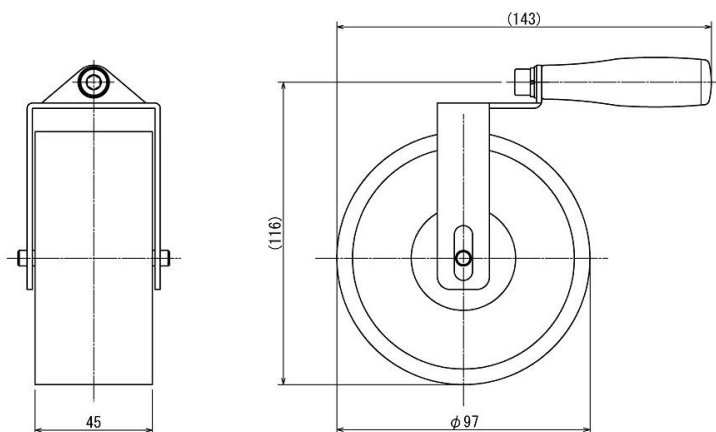
*2 Wight and outer diameter differ from related standards ISO

Possible range of custom made	
Mass(*1)	100~5000g
Width	30~300mm
Material	Antistatic urethane rubber(Hardness:A80) (*2)

*1 Limited on the combination of roller mass and width. Please contact us for details.

*2 Antistatic specification for preventing static electricity and so on.

[Dimension]



Unit: mm

[Cautions]

- Information in this document is subject to change without prior notice.
- This document is product descriptions and handling precautions, and do not guarantee various characteristics or safety.
- This product is designed for force measurement purpose only.
- Do not copy and use this content without authorization.

IMADA CO., LTD

99 Jinnoshinden-cho aza Kanowari Toyohashi
Japan 441-8077

Tel: +81-(0)532-33-3288

Fax: +81-(0)532-33-3866

E-mail: info@forcegauge.net

Website: <http://www.forcegauge.net/en/>



Visit our website for more information on a wide range of product specifications, measurement applications and videos.