

Tables for Food Texture Analyzer

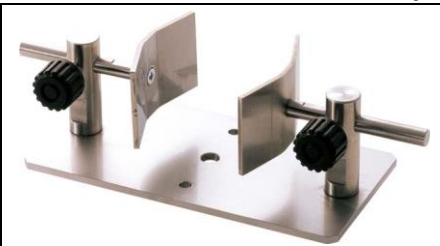
Optimal tables 3

(Container holder table, Stick holder, Anti-scattering sheet)



Tables to hold samples are available.

Anti-scattering sheet is for the prevention against sample scattering and your safety.

Container holder table (FR-BG-60)

	Feature
	It holds a container not to slip down.
	Example of use
	In the case where semi-solid sample in a container is measured.

[Measurement examples]

Viscosity of soup	Stiffness of salmon roe
	

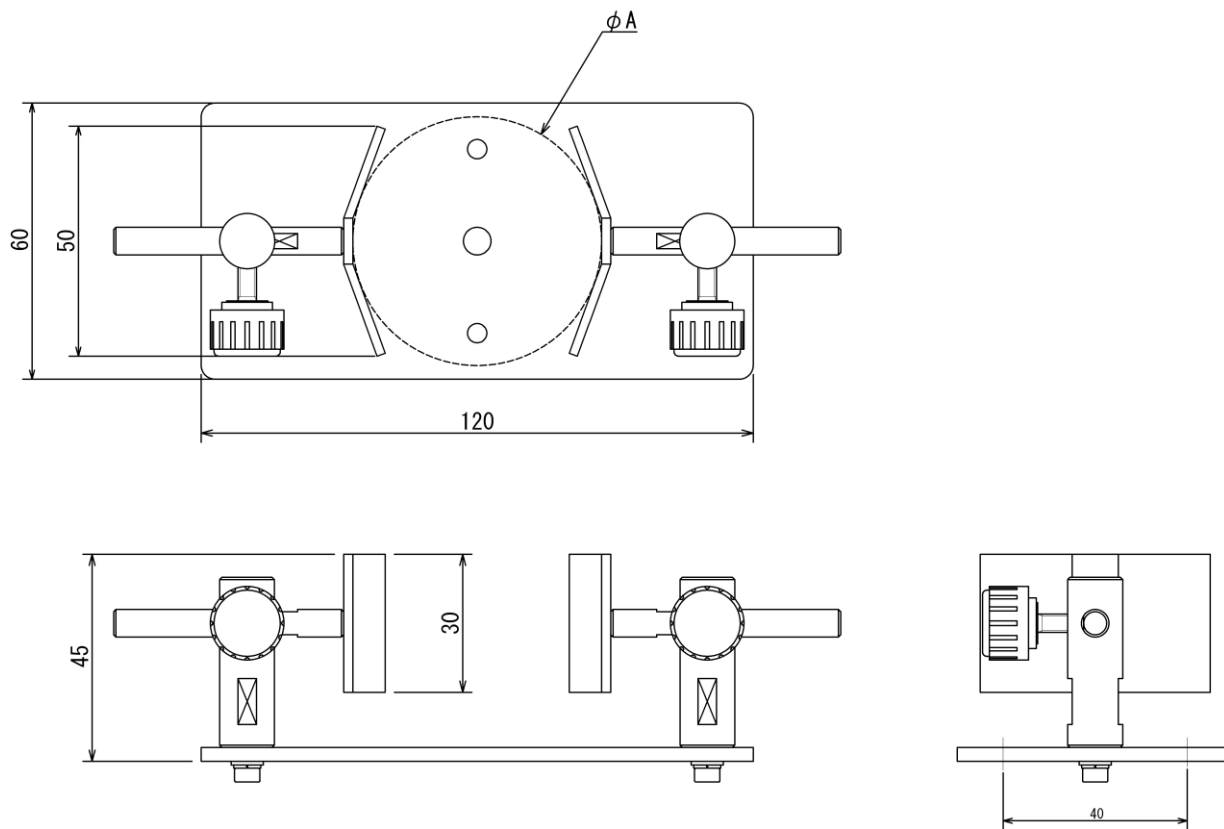
1. Disk probe

1. Cylindrical probe

[Specifications]

Model	FR-BG-60
Maximum diameter of a container $\varnothing A$	$\varnothing 14 \sim \varnothing 80$
Maximum height of a container	15~100
Weight	295g


[Dimensions]



*unit: mm

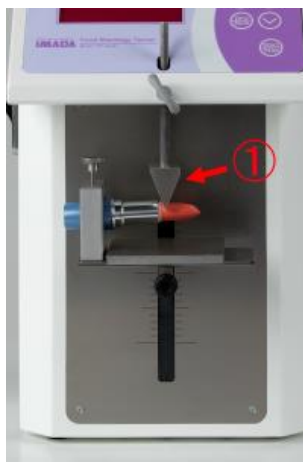
*We will provide made-to-order sizes of all probes and tables if required.

Stick holder (FR-ST-25)

	Feature
	It is suitable to hold a stick shaped sample such as a lipstick. With it, force to bend or snap a sample can be measured.
	Example of use
	A test for the snap strength of a lipstick

[Measurement example]

The snap strength of a lipstick



1. Wedge probe (FR-KS series)

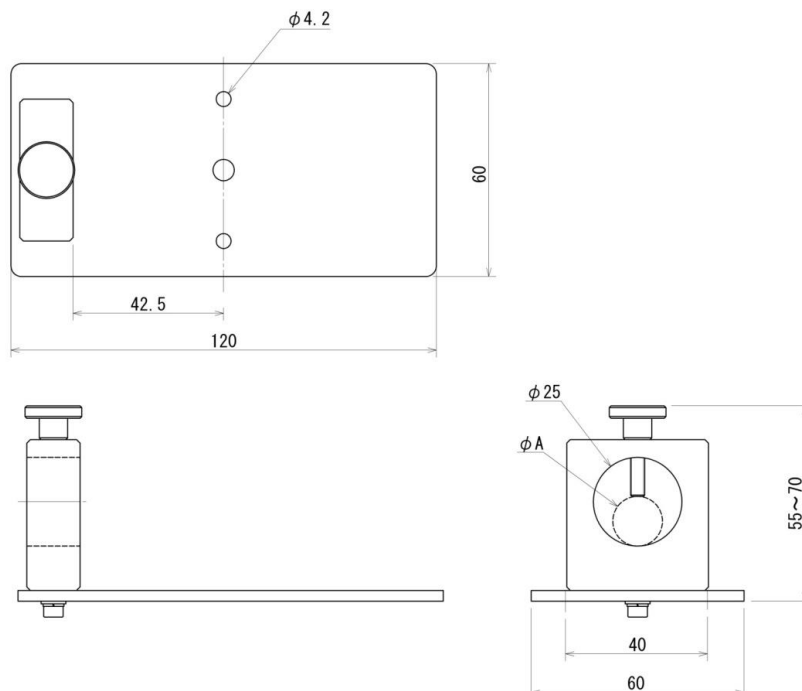
[Specifications]

Model	FR-ST-25
Diameter of a sample ϕA	$\phi 14 \sim \phi 25$
Material	Aluminum
Weight	253g


*unit: mm

*We will provide made-to-order sizes of all probes and tables if required.

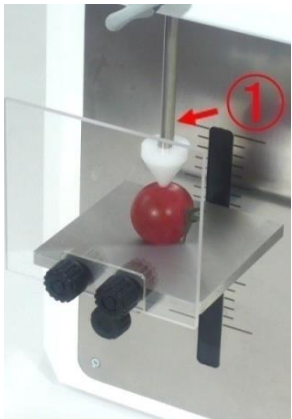
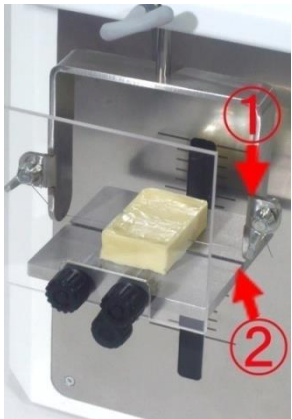
[Dimensions]



Anti-scattering sheet (FR-DP-80)

	Feature
	It is useful for the prevention against sample scattering and good for your safety as well.
	Example of use
A breaking or cutting test of tomato	

[Measurement examples]

A penetration test of a tomato	Cutting cheese
	

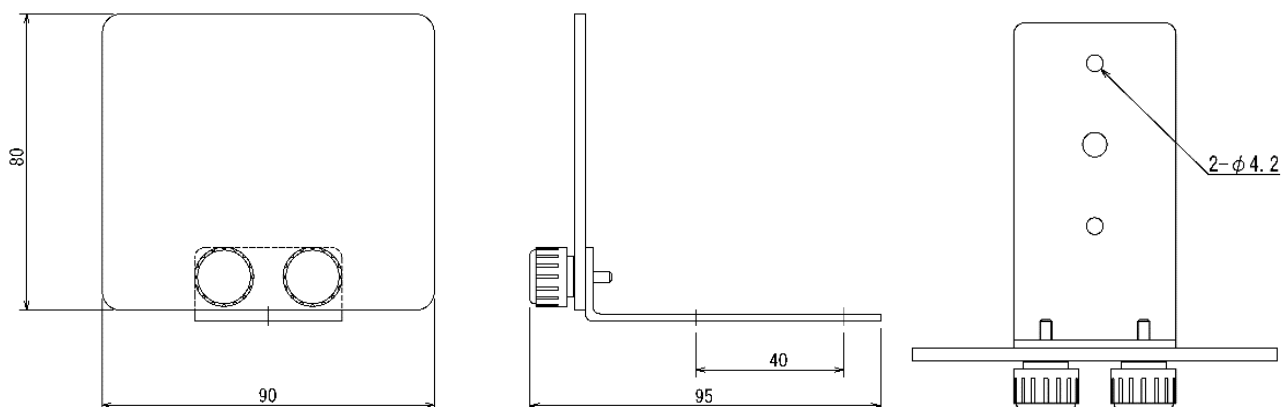
1. Wedge probe (FR-ES series)

1. Wire-cutter (FR-WK-85)
2. Anti-scattering sheet (FR-DP-80)

[Specifications]

Model	FR-DP-80
Material	Polycarbonate
Weight	89g

[Dimensions]



*unit: mm

*We will provide made-to-order sizes of all probes and tables if required.

[Cautions]

- Information in this document is subject to change without prior notice.
- This document is product descriptions and handling precautions, and do not guarantee various characteristics or safety.
- This product is designed for force measurement purpose only.
- Do not copy and use this content without authorization.
- Some samples may not be suitable to measure with this product.

IMADA CO., LTD

99 Jinnoshinden-cho aza Kanowari Toyohashi
Aichi Japan 441-8077
Tel: +81-(0)532-33-3288
Fax: +81-(0)532-33-3866
E-mail: info@forcegauge.net
Website: <http://www.forcegauge.net/en/>



Visit our website for more information on a wide range of product specifications, measurement applications and videos.