

Accessories for Food Texture Analyzer


For Compression tests 2

Special shaped series

(Pin vice, Yoghurt cutter, Bend table)

Special shaped probes and tables are available for compression tests. We offer various kinds of accessories such as Pin vice suitable for sticking tests, or Bend table fit for flexure tests.

Pin vice (FR-CP 3)

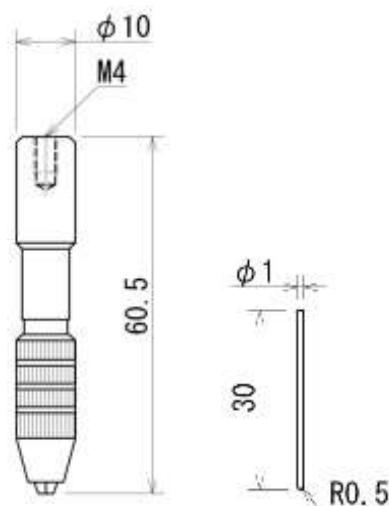
	Feature	
	It is suitable to measure force to stick packaging material such as film for Retort pouch.	
	Sample example	
	Retort pouch, plastic for packaging, skin of fruits and so on	
	Japanese Standard	
JIS Z1707	Plastic film for packaging of food (Ø10)	

[Measurement example]



1. Stick guide plate (FR-KP series)
2. Sample holder table (FR-UP-D)

[Dimensions]



*unit: mm

*We will provide made-to-order sizes of all probes and tables if required.

[Specifications]

The parts of Pin vice	Grip diameter	Ø0~Ø3.2
	Material	Steel
	Weight	24g

*3 pins are included

Pin	Diameter	Ø1
	Length	30
	Point R	R0.5
	Material	Stainless steel
	Capacity	20N

Yoghurt cutter (FR-YN 29)

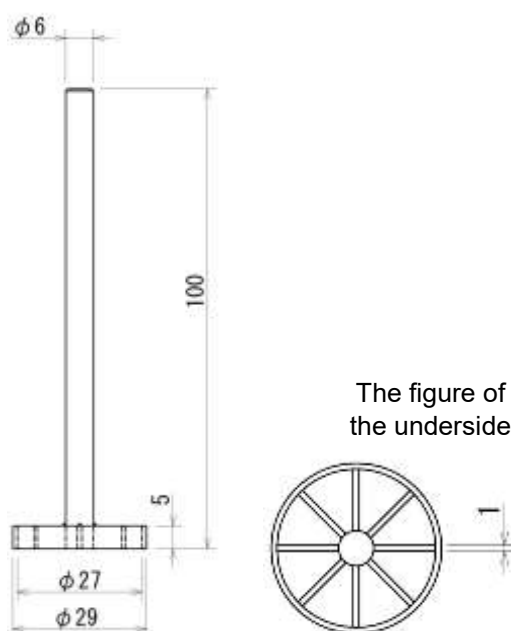
	Feature
	With Yoghurt cutter, elasticity or stiffness of semi-solid sample such as yoghurt can be measured.
	Sample example
	Yoghurt, pudding, jelly and so on.

[Measurement example]



1 Container holder table (FR-GB-60)

[Dimensions]



[Specifications]

Outside diameter	29
Height of the circle	5
Thickness of the circle plate	1
Material	Stainless steel
Weight	29g
Capacity	50N

*unit: mm

*We will provide made-to-order sizes of all probes and tables if required.

Bend Table for FRT (FR-TP 60)

	Feature
	It is suitable to measure force to bend long or flat samples, that is flexure tests.
	Sample example
	Stick shaped vegetables/confectionary, thin and flat samples

[Measurement example]



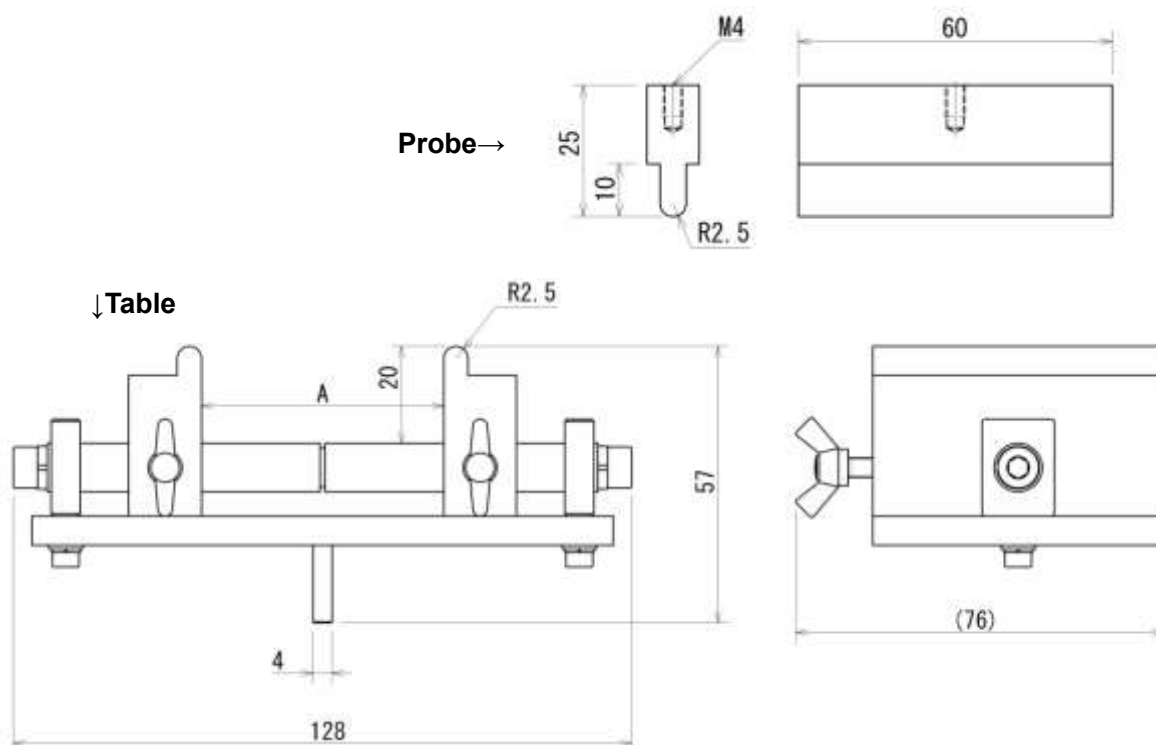
[Specifications]

Probe	The point	R2.5
	Material	Aluminum
	Weight	32g
Table	Opening width A	5~70
	Material of blocks	Aluminum
	Point of a block R	R2.5
	Capacity	100N

*unit: mm

*We will provide made-to-order sizes of all probes and tables if required.

[Dementions]



[Cautions]

- Information in this document is subject to change without prior notice.
- This document is product descriptions and handling precautions, and do not guarantee various characteristics or safety.
- This product is designed for force measurement purpose only.
- Do not copy and use this content without authorization.
- Some samples may not be suitable to measure with this product.

IMADA CO., LTD

99 Jinnoshinden-cho aza Kanowari Toyohashi
Aichi Japan 441-8077
Tel: +81-(0)532-33-3288
Fax: +81-(0)532-33-3866
E-mail: info@forcegauge.net
Website: <http://www.forcegauge.net/en/>



Visit our website for more information on a wide range of product specifications, measurement applications and videos.