


Cutters for Food Texture Analyzer

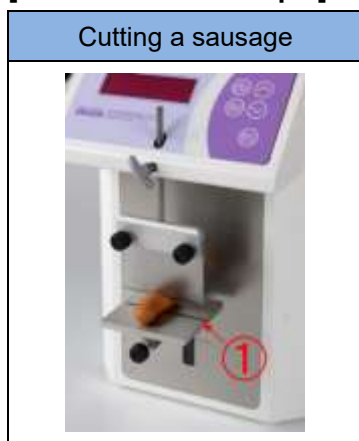
For Cutting tests (Cutter, Wire cutter, and Wedge probes)

The cutters are appropriate for cutting samples.
 We offer different types of cutters for stiffness tests.

Cutter (FR-NB-80)

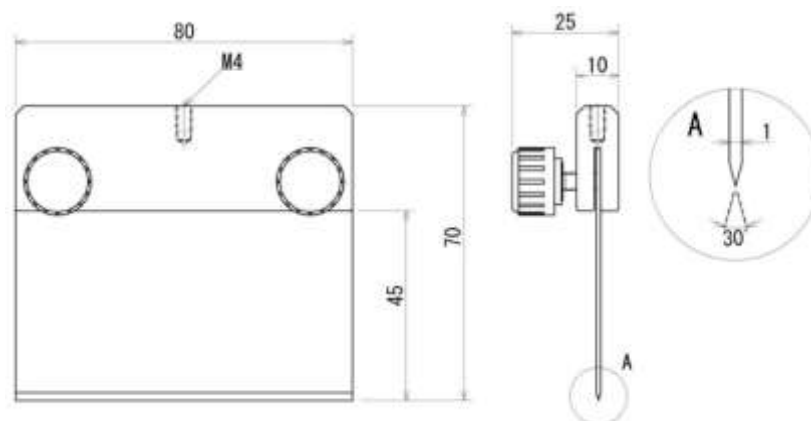
|  | Feature |
|--|---|
| | It is fit to measure elastic samples such as meat or something which cannot cut well with wedge shaped probes. 2 edges are included. |
| | Sample example |
| | Meat, fish, and sausages |

[Measurement example]



1. Table with a trench (FR-GT series)

[Dimensions]



[Specifications]

| | |
|--------------------------------|-----------------|
| Model | FR-NF-80 |
| The maximum width of a sample | 80 |
| The maximum height of a sample | 40 |
| Material | Stainless steel |
| Weight | 88g |
| Capacity | 50N |

*unit: mm

*We will provide made-to-order sizes of all probes and tables if required.

Wire cutter (FR-WK-85)

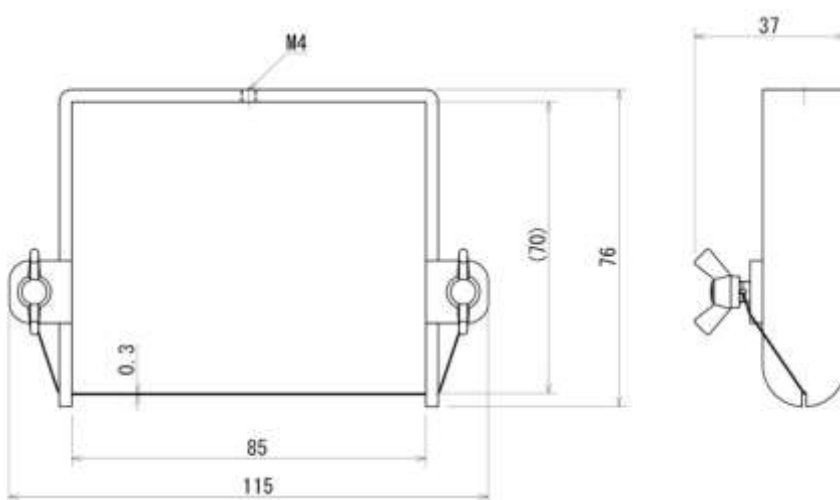
| | |
|--|---|
| | Feature |
| | By cutting a sample with thin wire, cutting force added only from vertical direction can be measured. |
| | Sample example |
| | Cheese, butter or something could stick to cutter |

[Measurement example]



1. Table with a trench (FR-GT series)
2. Anti-scattering sheet (FR-DP-80)

[Dimensions]



[Specifications]

| | |
|--------------------------------|------------|
| Model | FR-WK-80 |
| The maximum width of a sample | 80 |
| The maximum height of a sample | 65 |
| Material | Piano wire |
| Weight | 123g |
| Capacity | 50N |

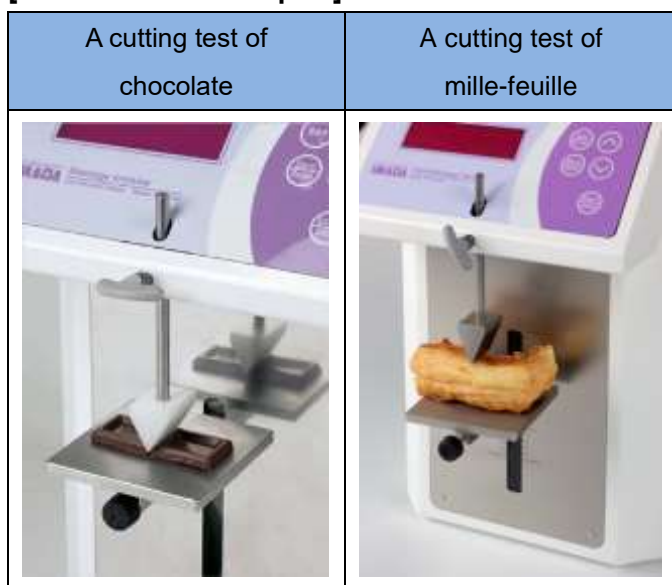
*unit: mm

*We will provide made-to-order sizes of all probes and tables if required.

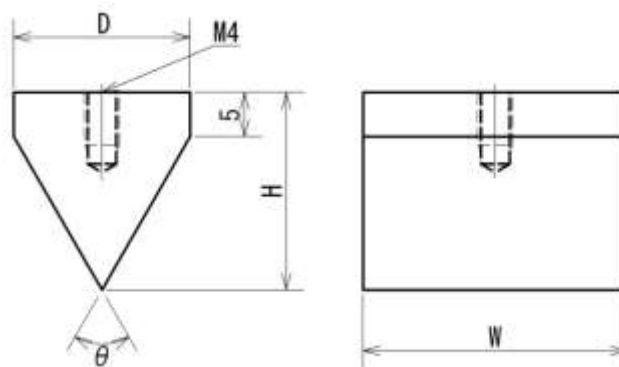
Wedge probes (FR-KS series)

| | |
|---|--|
| | Feature |
| | By pressing and cutting a sample with Wedge probes, stiffness can be measured. With 2 of them, a stiffness test can be conducted in the similar way as a person bites. |
| | Sample example |
| Sweet potatoes, snack food, vegetables, fruits, lipsticks and so on | |

[Measurement examples]



[Dimensions]



[Specifications]

| Model | FR-KS45-2030J | FR-KS45-2030S | FR-KS60-2030J | FR-KS60-2030S |
|---------------------------------|---------------|-----------------|---------------|-----------------|
| The Angle of the point θ | 45 | | 60 | |
| Depth D | 20 | | | |
| Width W | 30 | | | |
| Height H | (29) | | (22) | |
| Material | Polyacetal | Stainless steel | Polyacetal | Stainless steel |
| Weight | 12g | 70g | 10g | 53g |
| Capacity | 50 | 100 | 50 | 100 |

*unit: mm

*We will provide made-to-order sizes of all probes and tables if required.

[Cautions]

- Information in this document is subject to change without prior notice.
- This document is product descriptions and handling precautions, and do not guarantee various characteristics or safety.
- This product is designed for force measurement purpose only.
- Do not copy and use this content without authorization.
- Some samples may not be suitable to measure with this product.

IMADA CO., LTD

99 Jinnoshinden-cho aza Kanowari Toyohashi
Aichi Japan 441-8077
Tel: +81-(0)532-33-3288
Fax: +81-(0)532-33-3866
E-mail: info@forcegauge.net
Website: <http://www.forcegauge.net/en/>



Visit our website for more information on a wide range of product specifications, measurement applications and videos.