

Tables for Food Texture Analyzer

## Optimal tables 2

### (Sample holder table, Stick guide plate)

Tables to hold samples are available.

Sample holder table holds a sample not to move together with a moving probe.

Stick guide plate is suitable for sticking tests.

#### Sample holder table (FR-UP series)

|  |   |
|--|---|
|  | Feature   |
|  | It is able to hold a sample by putting it between the 2 sheets. It is also good for push out tests. |
|  | Example of use  |
|  | Taking a cherry's stem off. Pushing medicine out the container.                                     |

#### [Measurement examples]

| Taking a cherry's stem off | Pushing medicine out from its packaging |
|----------------------------|---|
|                            |   |

1. Small grip for FRT (FR-SC-3)

1. Cylindrical probe (FR-EC series)  
2. Stick guide plate (FR-KP series)

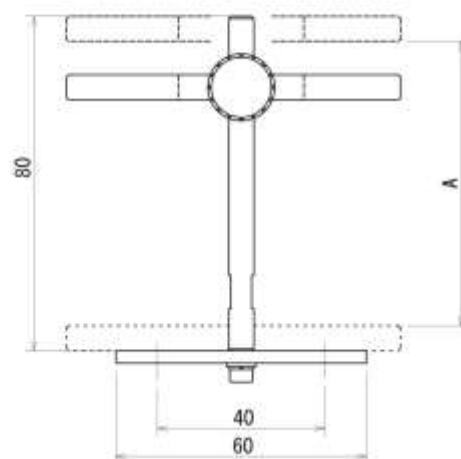
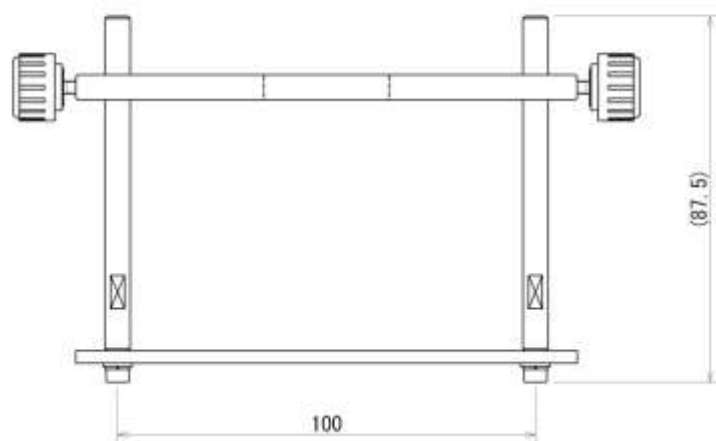
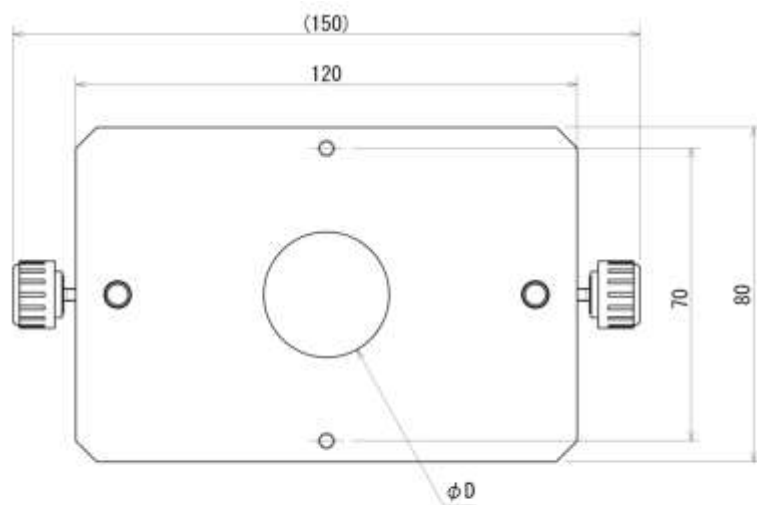
#### [Specifications]

| Model                         | FR-UP-5  | FR-UP-10  | FR-UP-25  | FR-UP-50  |
|-------------------------------|----------|-----------|-----------|-----------|
| Diameter of the hole $\phi$ D | $\phi$ 5 | $\phi$ 10 | $\phi$ 25 | $\phi$ 50 |
| Material                      | Aluminum |           |           |           |
| Weight                        | 357g     | 355g      | 350g      | 327g      |

\*unit: mm

\*We will provide made-to-order sizes of all probes and tables if required.

**[Dimensions]**



## Stick guide plate(FR-KP-D)

|  | Feature   |
|--|---|
|  | It can hold a thin sample such as film, being used together with Sample holder table. |
|  | Example of use  |
|  | For sticking tests of the lid of cup noodles and retort pouch                         |

\*Stick guide plate has to be used together with Sample holder table (FR-UP series).

### [Measurement example]



1. Pin vice (FR-CP-3)
2. Sample holder table (FR-UP series)

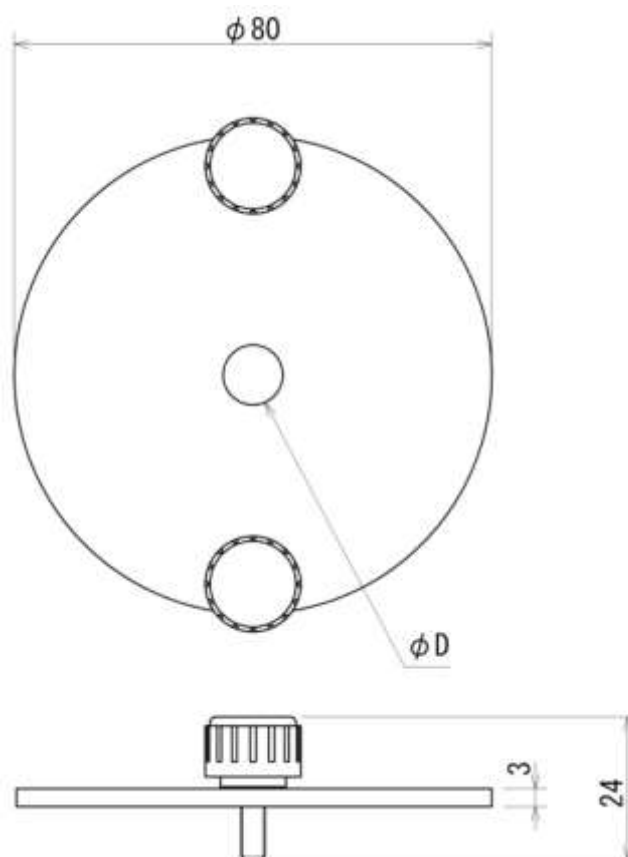
### [Specifications]

| Model                            | FR-KP-3       | FR-KP-5  | FR-KP-10  |
|----------------------------------|---------------|----------|-----------|
| Diameters of the hole $\theta A$ | $\phi 3$      | $\phi 5$ | $\phi 10$ |
| Thickness of film                | 0~2           |          |           |
| Material                         | Polycarbonate |          |           |
| Weight                           | 24g           |          |           |

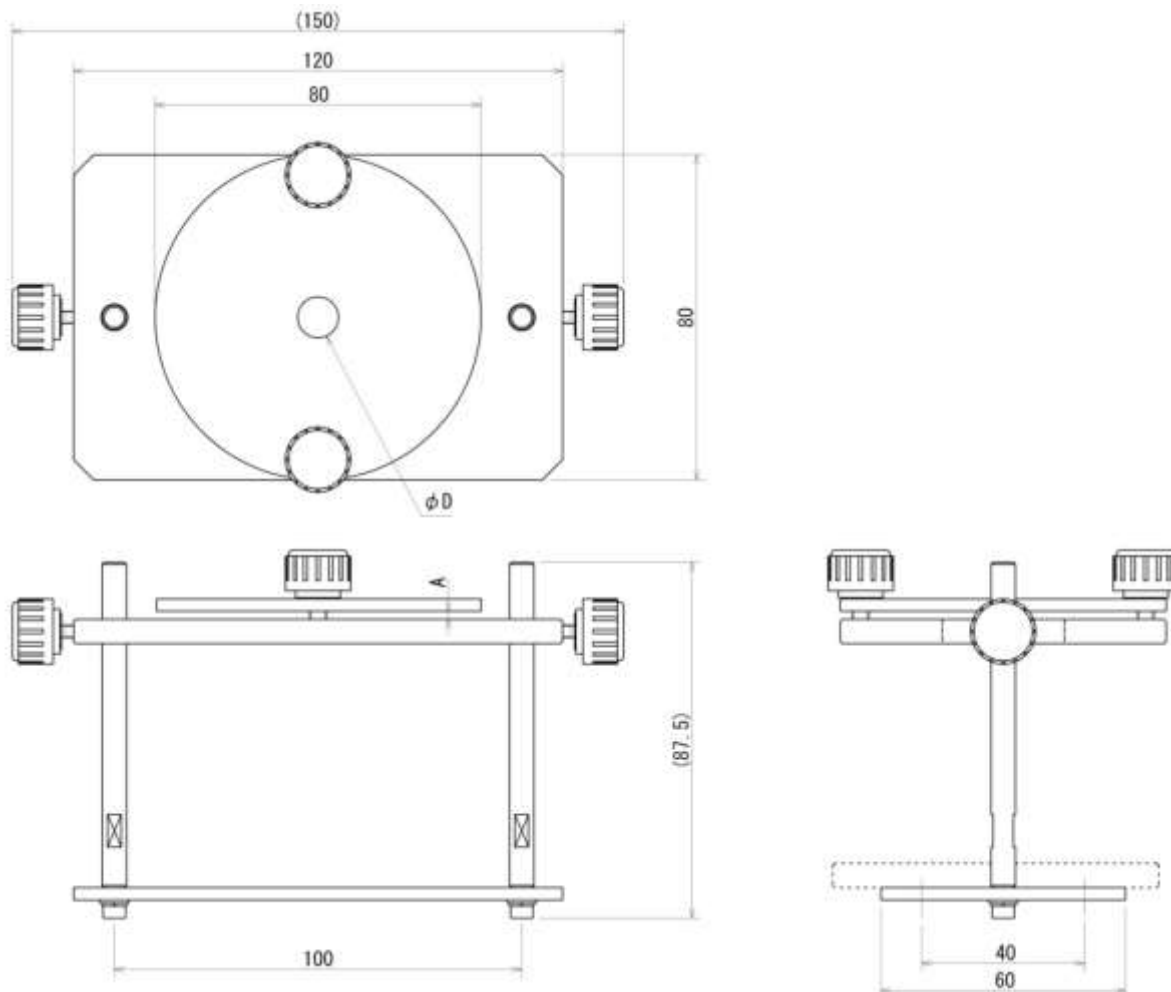
\*unit: mm

\*We will provide made-to-order sizes of all probes and tables if required.

### [Dimensions of Stick guide plate by itself]



**[Dimensions with Sample holder table]**



**[Cautions]**

- Information in this document is subject to change without prior notice.
- This document is product descriptions and handling precautions, and do not guarantee various characteristics or safety.
- This product is designed for force measurement purpose only.
- Do not copy and use this content without authorization.
- Some samples may not be suitable to measure with this product.

**IMADA CO., LTD**

99 Jinnoshinden-cho aza Kanowari Toyohashi  
Aichi Japan 441-8077  
Tel: +81-(0)532-33-3288  
Fax: +81-(0)532-33-3866  
E-mail: [info@forcegauge.net](mailto:info@forcegauge.net)  
Website: <http://www.forcegauge.net/en/>



Visit our website for more information on a wide range of product specifications, measurement applications and videos.