

## Testing Kit for 45-degree peel test

# P45-50N

Peel test for packaging film recommended for food and medical industries  
 Designed to easy test sample setting at 45-degree  
 Easy sample fastening with adjustable lever, clear chuck and holding plate






**Sample chuck**



**Table**




**Testing Image**







How to Install test sample		
Peel off a small part of the sample lid and place the sample on the table	Clump the sample lid with the sample chuck	Place the sample chuck cord around the roller of the table and hook the end to the chuck cord to the Force gauge
		

Specifications	
Model	P45-50N
Maximum Capacity	50N
Maximum sample size	Height:10-100mm    Diameter:20-140mm
Dimensions	as diagram in page 4/4
Weight *1	Sample grip: approx.10g    Table: approx.1500g
Mountable Test Stand *2	MX-500N-L, MX-1000, MX2-500N-L, MX2-1000N, HV-500 II -L, HV-1000N

- \* Possible testing area varies depending on the size of the packages
- \* This testing kit does not cater for full opening test. Custom- made order is available for full opening test. Please refer to page 3/4.
- \* Original testing kit can be customized to your measuring requirement
- \* Standard small hook (A-1/S-1/SR-1) is required for this test.
- \*1 When selecting the force capacity, weight of the chuck must be included to the force gauge load.
- \*2 Please contact us for other testing stands installment

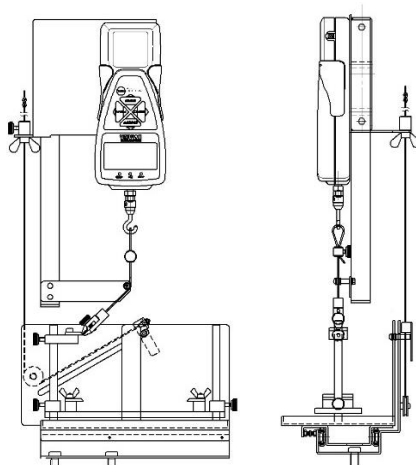
Examples of Product Configuration P45-50N	
<p><b>Example1</b>                      <b>Code : 1P2010A</b></p> <p>- simple 45-degree peel test up to 50N</p> <p>Digital force gauge : DST-200N Motorized Test Stand : MX-500N-L Optional attachment : P45-50N *2</p>	 <p>Example2 Image</p>
<p><b>Example2</b>                      <b>Code : 1P2010B</b></p> <p>- Functional 45-degree peel test up to 50N</p> <p>Digital force gauge : ZTS-100N Motorized Test Stand : MX2-500N-L *1 Optional Motorized Test Stand : -V600 Optional Attachment : P45-50N *2 Optional Cable : CB-518</p>	

- \* Please refer to the specification of each product for details.
- \* Product configuration varies depending on the shape and characteristic of the sample and measurement conditions
- \* The recommended capacity of the force gauge varies depending on the expected force to be loaded.
- \* Custom-made order is available for **JIS S0021-2:2018** 「Packaging-Accessible design-Ease of opening」 and **ISO17480:2015** 「Packaging -- Accessible design -- Ease of opening」 (**Full Opening test**) Please refer to page 3/4.
- \*1 MX2 series test stands are recommended with appropriate moving speed for 45-degree angle peel test.
- \*2 With the possibilities of liquid splashing, while testing, use of the Tray PTW-10IN (not included in the kit) is recommended.

Related Accessories and Jigs (available separately)		
<p>Tray  <b>PTW-10IN</b></p>	<p>Beverage Can Tab                      pulling force testing kit  <b>PTD-100N</b></p>	<p>Food Can Tab                      pulling force test kit  <b>PTF-100N</b></p>
<p>Tray is to be fixed under the testing kit for splash protection when measuring liquid product packaging</p>	<p>For measuring pulling force of the stay-on-tabs on the beverage cans</p>	<p>For measuring easy open pull tabs: pulling and opening</p>
		
<p>Screw Cap Torque tester  <b>DTXS/DTXA Series</b></p>	<p>Food Texture analyzer  <b>FRTS-5N/50N/100N</b></p>	<p>Food Hardness Testing Unit  <b>FCA-DSV-50N</b></p>
<p>For bottle screw caps torque force measurements: Opening and Closures</p>	<p>For evaluation of the textural property variations with simple touch screen operation.</p>	<p>For measurement of food hardness by simple operation.</p>
		

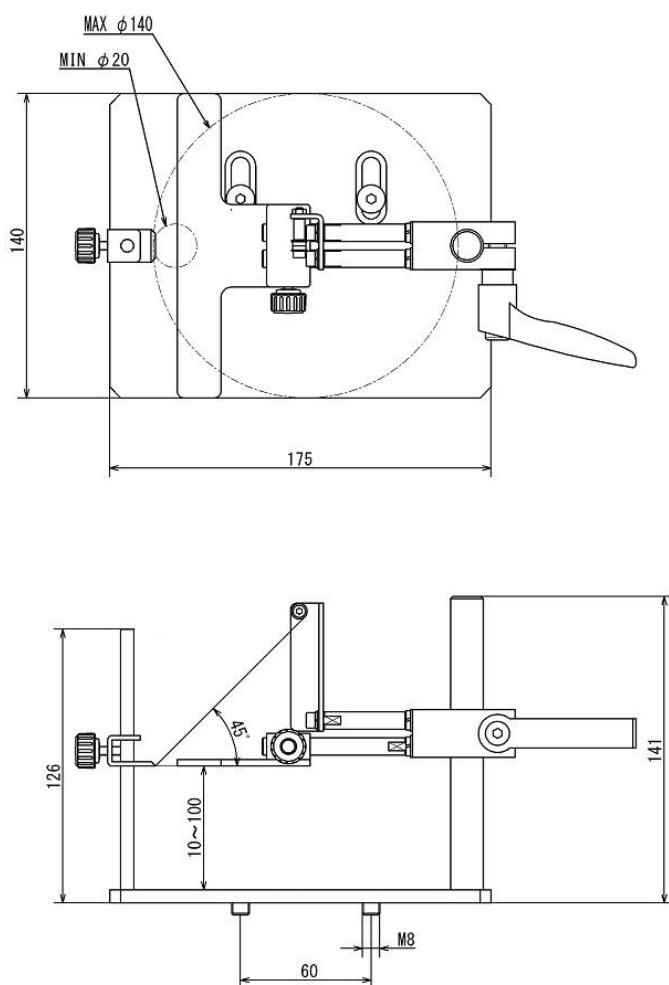
**[Custom-made Kit (made to order) for full opening test]**

For ISO17480:2015 「Packaging -- Accessible design -- Ease of opening」 and (Corresponding Japanese standard: JIS S0021-2:2018) (corresponding part only) \*Please contact us for the custom-made Kit

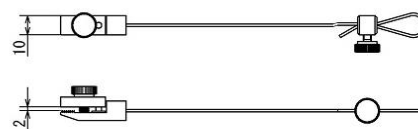


## [Dimensions]

### Table



### Sample chuck



Unit: mm

## [Cautions]

- Information in this document is subject to change without prior notice.
- This document is product descriptions and handling precautions, and do not guarantee various characteristics or safety.
- This product is designed for force measurement purpose only.
- Do not copy and use this content without authorization.
- A force gauge (sold separately) is required to use this product.
- Some samples may not be suitable to measure with this product.

### IMADA CO., LTD

99 Jinnoshinden-cho aza Kanowari Toyohashi  
Japan 441-8077  
TEL: +81-(0)532-33-3288  
FAX: +81-(0)532-33-3866  
E-mail: [info@forcegauge.net](mailto:info@forcegauge.net)  
Website: <http://www.forcegauge.net/en/>



Visit our website for more information on a wide range of product specifications, measurement applications and videos.