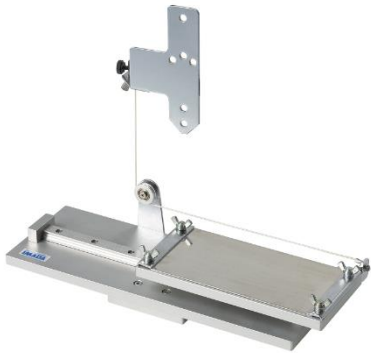


90 Degree Peel Test Fixture

P90-200N/P90-200N-EZ/P90-200N-BB

- Ideal for 90 degree peel test of adhesives such as tapes
- Standard type P90-200N/ economy type P90-200N-EZ/
Breadboard type P90-200N-BB are available
- Designed for peel test complying with a part of IEC, ISO and ASTM Standard



P90-200N

- Complies with a part of IEC, ISO and ASTM Standard
- Standard type to keep peel angle to 90 degree



P90-200N-EZ

- Ideal for elastic samples
- Economy type with the sliding table



P90-200N-BB

- Enables fixing samples with a breadboard and clamps.
- Ideal for 90 degree peel test of adhesives sheets on board



P90-200N Test Image
(Adhesives tape)






P90-200N-BB Test Image
(Copper foil of circuit board)

<p>Related Standard When P90-200N/ P90-200N-BB are used</p>	<p>-IEC 249-1:1982 Base materials for printed circuits. Part 1: Test methods (Partly) IEC 326-2:1990 Printed boards. Part 2 Test methods (Partly) (Corresponding Japanese standard: JIS C5016:1994)</p>
<p>Related Standard When P90-200N is used</p>	<p>-ISO 29862:2007 Self adhesive tapes-Determination of peel adhesion properties (Partly) (Corresponding Japanese standard: JIS Z0237:2009) -Japanese Pharmacopoeia 3.1.2.2: 17th Edition (Partly) -ASTM D6862-11:2016 Standard Test Method for 90 Degree Peel Resistance of Adhesives (Partly) -ASTM D3330:2010 Standard Test Method for Peel Adhesion of Pressure-Sensitive Tape (Partly)</p>
<p>Related Standard When P90-200N-BB is used</p>	<p>-ISO 4525:2003 Metallic coatings-Electroplated coatings of nickel plus chromium on plastics materials (Partly) (Corresponding Japanese standard: JIS H 8630:2006)</p>
<p>Applications</p>	<p>- Sticker, adhesive tape, adhesive sheet, adhesive plaster, magnetic tape, foil laminated film *2 - Printed circuit board, screen protector film for panel, copper foil of circuit board, sheet for glass, thick coating film, adhesive sheet on board</p>

*1 We recommend 90 degree peel test for these standards. 180 degree peel test is acceptable if 90 degree peel is impossible.

*2 P90-200N and P90-200N-EZ are suitable for these samples.


How to adhere test sample for P90-200N		
Take off the stainless panel and adhere test sample on it.	Fix the stainless panel by screws.	Grip the sample to get ready to start the peel test.
		

Specifications			
Model	P90-200N	P90-200N-EZ	P90-200N-BB
Peel length (Max)	155mm		See [Dimensions]
Sample Width (Max)	80mm		See [Dimensions]
Thickness of board (Max) *1	-		8mm
Capacity *2	Up to 200N	0.4 to 200N	Up to 200N
Dimensions	See [Dimensions]		
Weight	Approx. 2kg		
Compatible test stand *3	MX-500N, MX2-500N, MX-1000N, MX2-1000N, EMX-1000N		

*1 Only for P90-200N-BB

*2 P90-200N-EZ is not suitable when peel force is expected to change suddenly or to be below 0.4N.

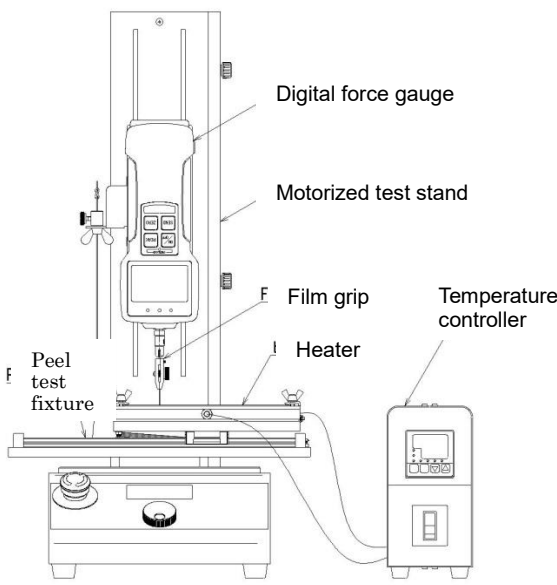
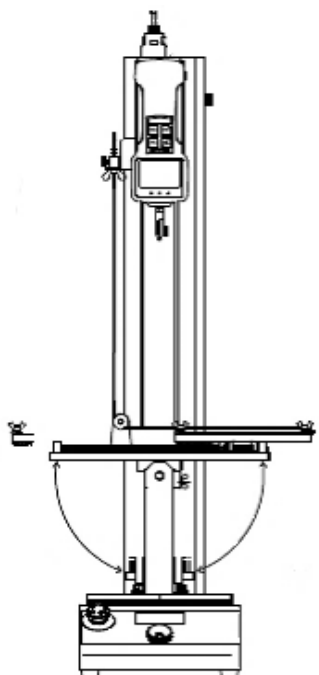
*3 Contact us for compatibility of other models of test stands.

Examples of Product Configuration P90-200N	
<p>Example 1 Code: 1P2003A</p> <p>Peel test up to 200N according to a part of IEC 249-1:1982, IEC 326-2:1990, ISO 29862:2007, ASTM D6862-11:2016, ASTM D3330:2010, JIS Z0237:2009 JIS C5016:1994, and Japanese Pharmacopoeia. The average value is calculated by the graphing software. *1</p> <p>Digital Force Gauge: ZTS-200N Motorized Test Stand: MX2-500N *2 Optional Attachment: P90-200N Optional Attachment: FC-20 *3 Optional Cable: CB-518 Optional Software: Force Recorder Standard</p>	
Examples of Product Configuration P90-200N-EZ	
<p>Example 1 Code: 1P2004A</p> <p>Simple peel test up to 200N specially for elastic samples.</p> <p>Digital Force Gauge: DST-200N Motorized Test Stand: MX-500N *2 Optional Attachment: P90-200N-EZ Optional Attachment: FC-20 *3</p>	
Examples of Product Configuration P90-200N-BB	
<p>Example 1 Code: 1P2006A</p> <p>Peel test up to 200N according to a part of IEC 249-1:1982, IEC 326-2:1990, ISO 4525:2003, JIS C5016:1994 and JIS H 8630:2006. The average value is calculated by the graphing software. *1</p> <p>Ideal for peel test of fixing samples with a breadboard and clamps such as thick coating film and adhesive sheet on board</p> <p>Digital Force Gauge: ZTS-200N Motorized Test Stand: MX2-500N *2 Optional Attachment: P90-200N-BB Optional Attachment: FC-21U *3 Optional Cable: CB-518 Optional Software: Force Recorder Standard</p>	<p>P90-200N Example 1 Image</p>

* Refer to the specification of each product for details.
 * Product configuration varies depending on the shape and characteristic of the sample, and measurement conditions.
 * The recommended capacity of force gauge varies depending on the expected force to be loaded.
 *1 We recommend 90 degree peel test for these standards. 180 degree peel test is acceptable if 90 degree peel is impossible.
 *2 To ensure enough peel length, long stroke model of motorized test stand is recommended.
 The sample cannot be peeled fully if its elongation rate is over 210%.
 *3 Wide width model of film grip is necessary if the sample width is over 20mm.

Related Products		
<p>Spare Stainless Panel SSP-1608</p> <p>Needless to clean the panel after each test thus enhance efficiency when testing multiple samples.</p> 	<p>Rubber Roller for Peel Test APR-97</p> <p>It helps to stick samples on the panel with certain pressure, which ensures accurate test result.</p> 	<p>Film Cutter FSC-1525</p> <p>It is designed to cut paper or film in constant-width.</p> 
	<p>Standard: JIS Z0237:2009(*1)</p>	<p>Standard Width 15mm JIS Z1707:1997(*1) JIS Z0238:1998(*1)</p> <p>Standard Width 1inch ATSM F88(*1)</p>
<p>180 Degree Peel Test Fixture P180-200N/P180-200N-BB</p> <p>Fixture for 180-degree peel test of adhesive tape and the like.</p> 	<p>45 Degree Peel Test Fixture P45-50N</p> <p>It is designed for peel test of cup film or paper lid to evaluate the open-easiness for food and medical packaging industry.</p> 	<p>Film Grip FC-21/20/40/21U/41U/21UQ</p> <p>Ideal for gripping thin samples such as film. A wide range of product models are available to fit your needs.</p> 
<p>Fixture for Film Sticking Test TKS-250N/TKS-20N</p> <p>Designed for sticking test of thin samples such as film.</p> 	<p>180-degree High Speed Peeling Tester IPTS-20N/50N</p> <p>Specialized peeling tester features high operability with a wide speed range up to 1500mm/min.</p> 	

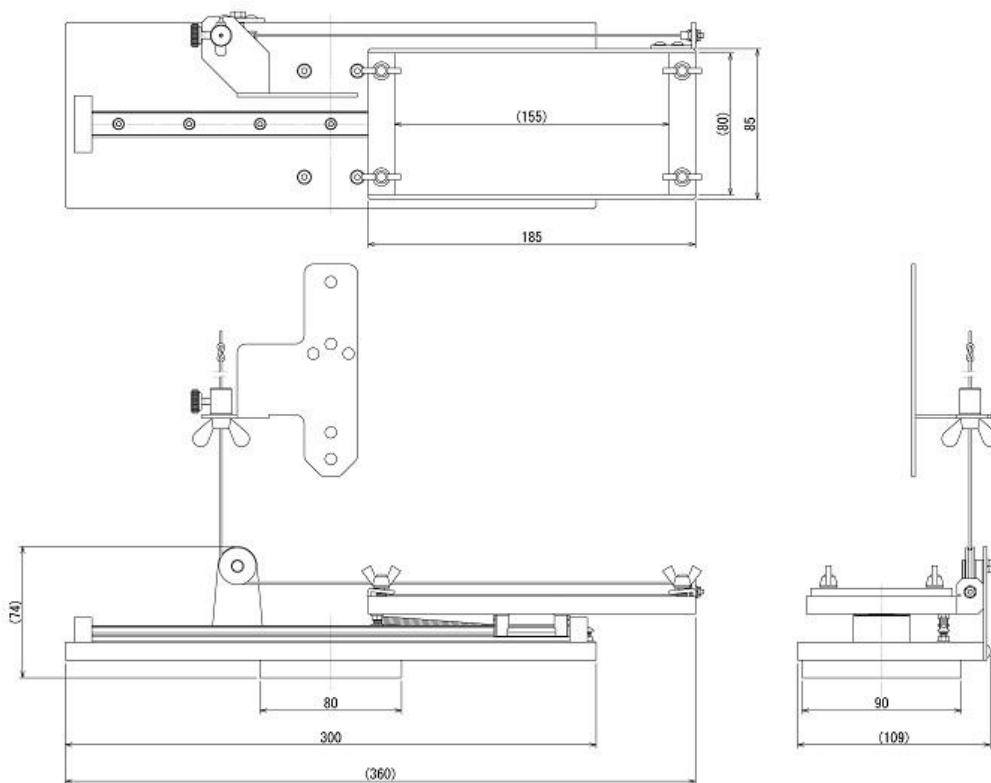
*1 It complies with a part of the standard.

Customized Application	
1. Adjustable temperature	2. Adjustable peel angle
 <p>Labels in diagram: Digital force gauge Motorized test stand Film grip Heater Temperature controller Peel test fixture</p>	
<p>A heater is integrated in the table and enables you to adjust temperatures from room temperature to 300°C by the external controller.</p>	<p>Enables you to adjust the peel angle freely from 0 to 180 degree.</p>
3. According to JIS standard	
<ul style="list-style-type: none"> - ISO /IEC 10373-1:2006 Identification cards–Test methods–Part 1: General characteristics (IDT) (Partly) (Corresponding Japanese standard: JIS X6305-1:2010) - IEC 249-1:1982 Base materials for printed circuits. Part 1: Test methods (Partly) (Corresponding Japanese standard: JIS C6481:1996) 	

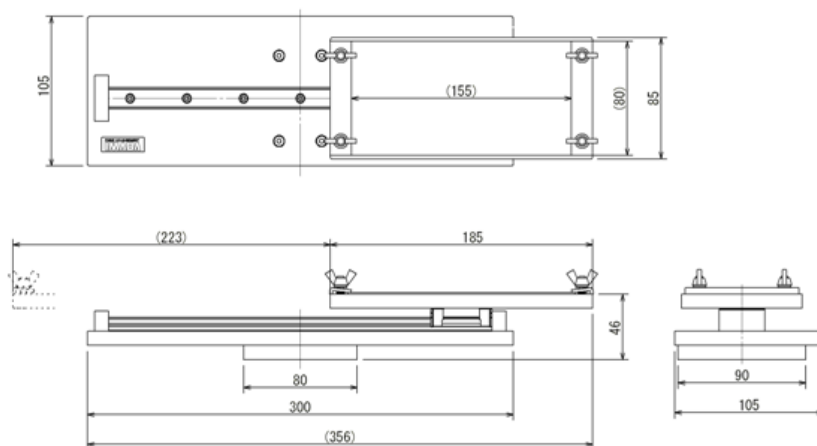
*Contact us for details.

[Dimensions]

P90-200N



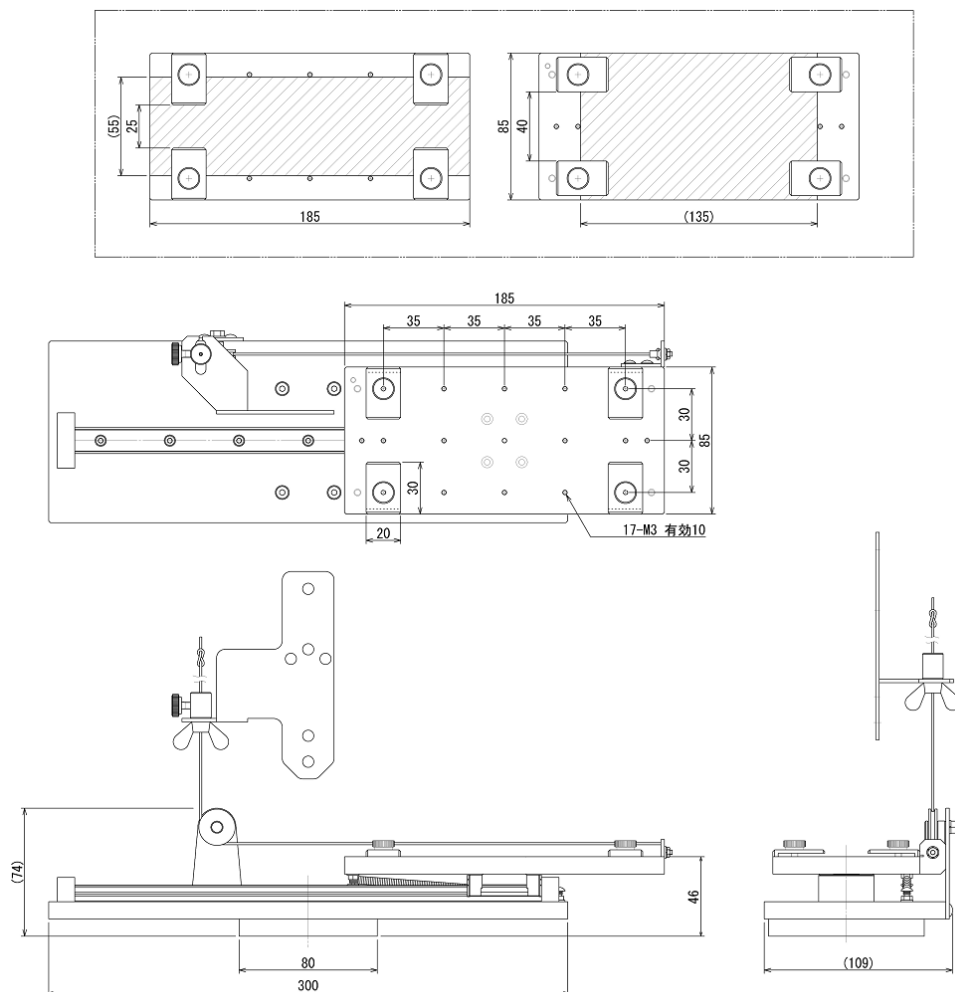
P90-200-EZ



Unit: mm

[Dimensions]

P90-200N-BB



Unit: mm

[Cautions]

- Information in this document is subject to change without prior notice.
- This document is product descriptions and handling precautions, and do not guarantee various characteristics or safety.
- This product is designed for force measurement purpose only.
- Do not copy and use this content without authorization.
- A force gauge (sold separately) is required to use this product.
- Some samples may not be suitable to measure with this product.

IMADA CO., LTD

99 Jinnoshinden-cho aza Kanowari Toyohashi
Japan 441-8077
Tel: +81-(0)532-33-3288
Fax: +81-(0)532-33-3866
E-mail: info@forcegauge.net
Website: <http://www.forcegauge.net/en/>



Visit our website for more information on wide product specifications, measurement applications and videos.