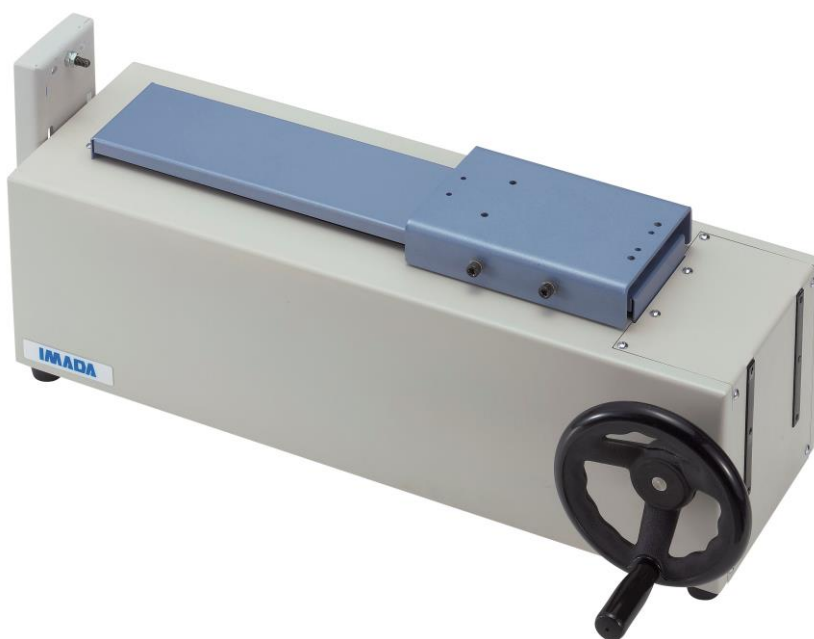


Horizontal Manual Test Stand SH series

Allows set sample easily due to its horizontal design
Enables to apply force stably by operating handle



SH-1000N






Setting image

Feature 1	Feature 2	Feature 3
Fine Movement	Rugged cover to prevent fragments from entering inside	Various testing applications
Allows fine adjustment of a force gauge's position and stable testing by the handle operation.	Designed for preventing fragments from entering inside when the samples fly apart during the measurement.	-Material strength tests (tensile, compress, shear strength, etc.) -Evaluation tests of mechanical and electronic parts (soldering strength of QFP, tensile strength of crimp terminal, etc.) -Peeling tests of adhesive part and heat seals

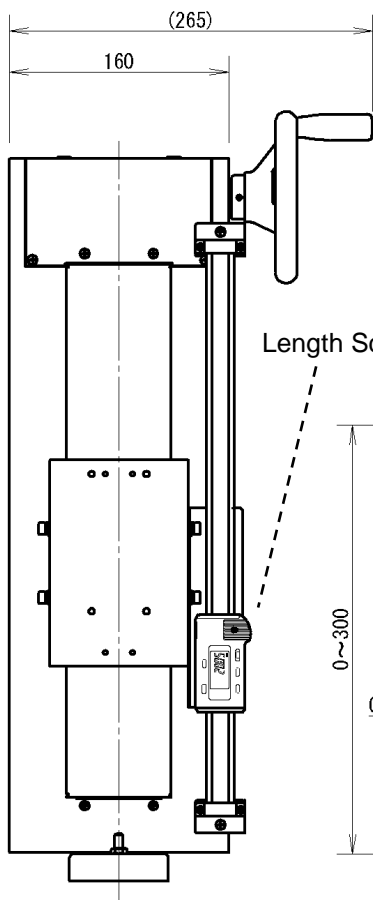
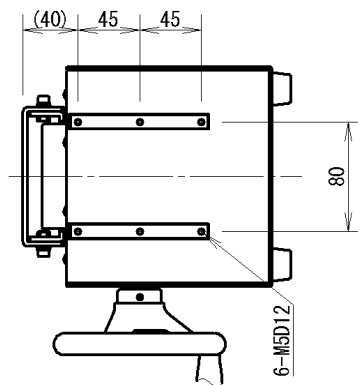
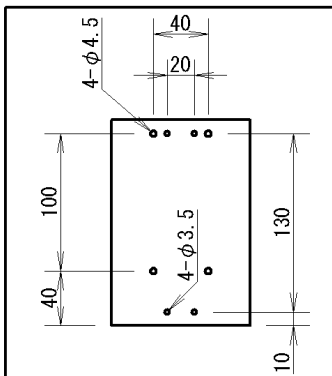
Specifications		
Model	SH-1000N	SH-3000N
Capacity	1000N	3000N
Loading Method	Trapezoidal screw with 3mm lead	Ball screw with 4mm lead
Travel Rate	1.2mm/ 1 turn	0.6mm/ 1 turn
Max. Sample Length	Approx. 250mm	Approx. 355mm
Weight	Approx. 15kg	Approx. 22kg
Dimensions	See [Dimensions]	
Available Options	-S: Length scale	

* The Max. Sample Length refers to the distance between the test stand table and the tip of force gauge (1000N or less of ZT series) measuring shaft when the head is at the top.

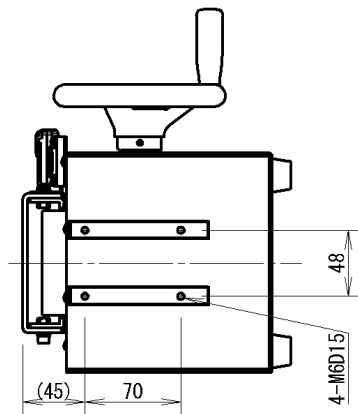
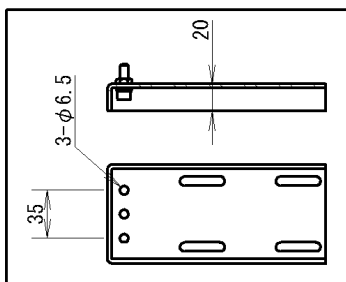
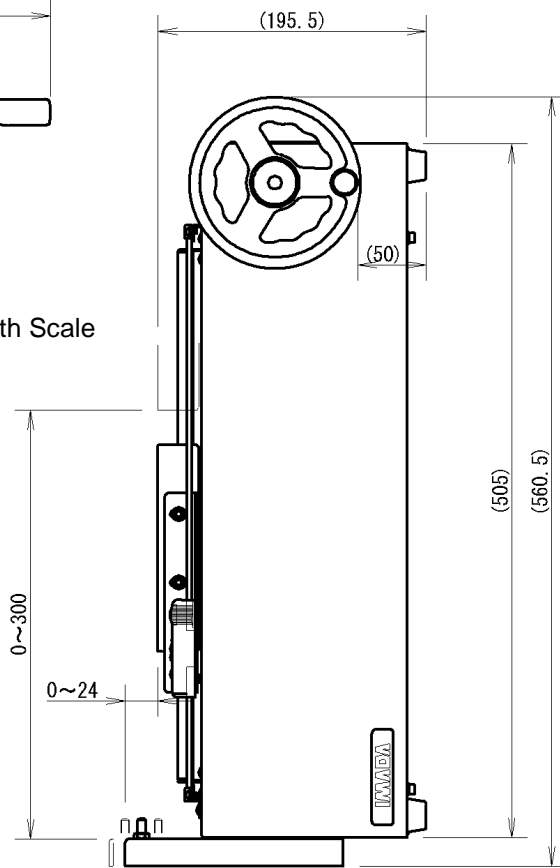
Mountable Force Gauges for SH series		
DST/DSV series	ZTS/ZTA series	FB/PS/PSM series
Digital force gauge with excellent cost performance capable to manage data with PC.	Digital force gauge with high precision, featuring high sampling rate and a variety of useful functions.	Mechanical force gauge for easy handling.
		

[Dimensions]

SH-1000N

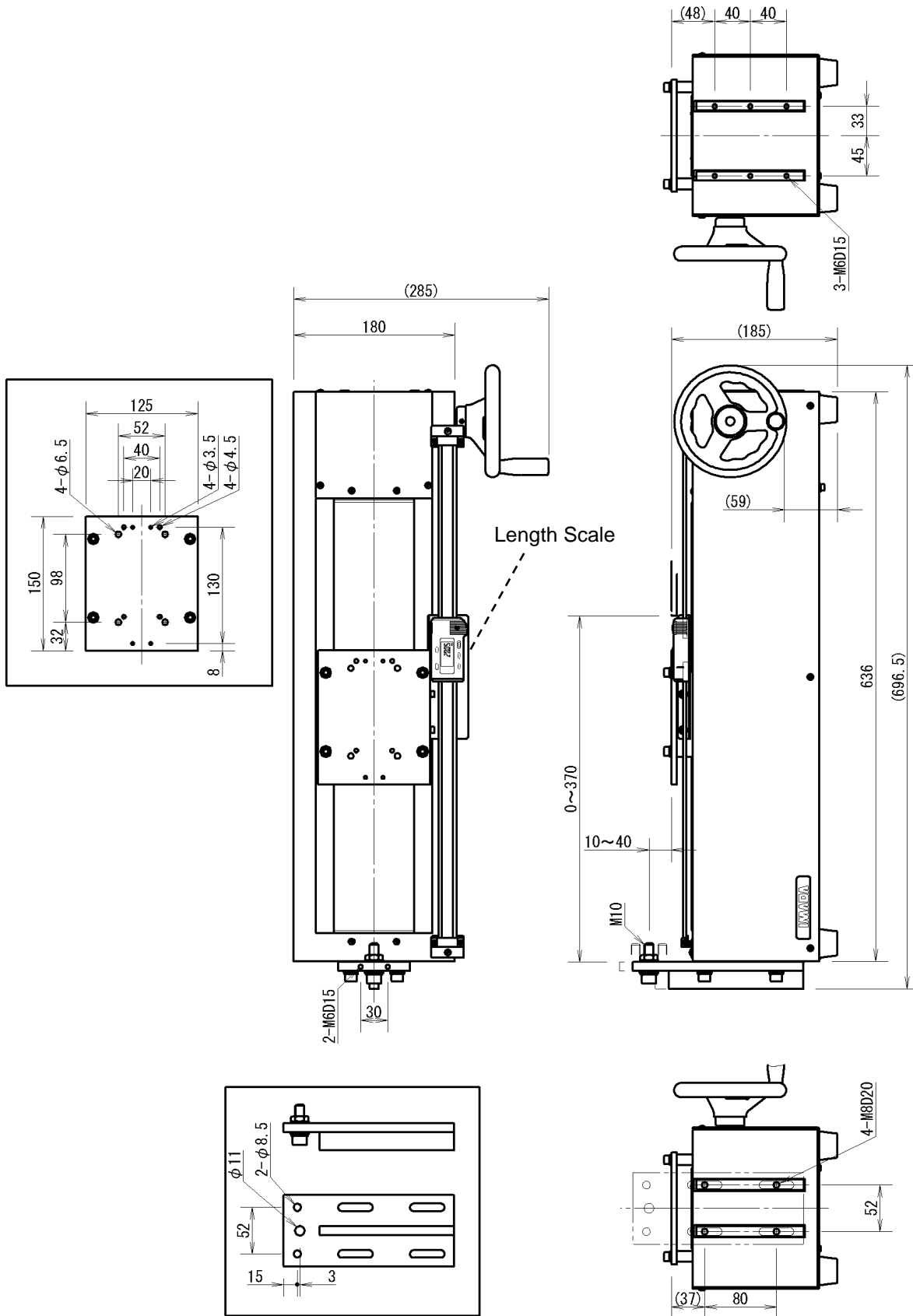


Length Scale



Unit: mm

SH-3000N



Unit: mm

[Cautions]

- Information in this document is subject to change without prior notice.
- This document is product descriptions and handling precautions, and do not guarantee various characteristics or safety.
- This product is designed for force measurement purpose only.
- Do not copy and use this content without authorization.
- A force gauge (sold separately) is required to use this product.
- Do not use this product in the environments including fierce temperature changes, high temperature, high humidity, near water, dusty place

IMADA CO., LTD

99 Jinnoshinden-cho aza Kanowari Toyohashi
Japan 441-8077
Tel: +81-(0)532-33-3288
Fax: +81-(0)532-33-3866
E-mail: info@forcegauge.net
Website: <http://www.forcegauge.net/en/>



Visit our website for more information on wide product specifications, measurement applications and videos.